

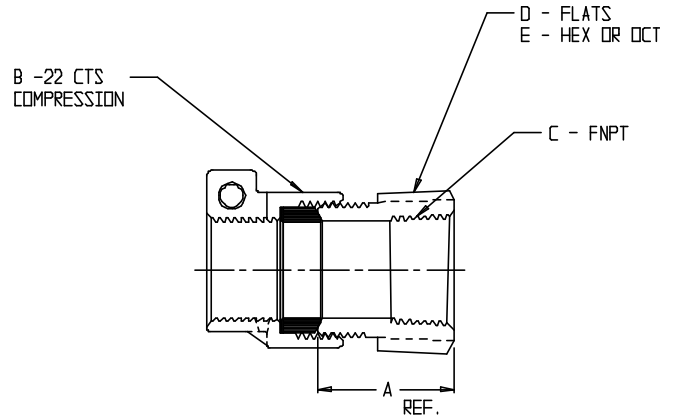
SUBMITTAL DATA SHEET

NL Service Fitting – 74754-22

-22 CTS Compression x FNPT



MODEL	SIZE	A	B	C	D	E
74754-22	1/2	1.25	1/2	1/2	1.06	HEX
74754-22	1/2 X 3/4	1.56	1/2	3/4	1.38	HEX
74754-22	3/4	1.27	3/4	3/4	1.31	HEX
74754-22	3/4 X 1/2	1.61	3/4	1/2	1.38	HEX
74754-22	3/4 X 1	1.64	3/4	1	1.52	OCT
74754-22	3/4 X 1 1/4	2.67	3/4	1 1/4	1.85	OCT
74754-22	3/4 X 1 1/2	2.67	3/4	1 1/2	1.85	OCT
74754-22	1	1.40	1	1	1.54	OCT
74754-22	1 X 3/4	1.40	1	3/4	1.37	OCT
74754-22	1 X 1 1/4	1.75	1	1 1/4	1.88	OCT
74754-22	1 X 1 1/2	2.66	1	1 1/2	1.85	OCT
74754-22	1 1/4	2.17	1 1/4	1 1/4	2.00	OCT
74754-22	1 1/4 X 3/4	2.08	1 1/4	3/4	1.69	HEX
74754-22	1 1/4 X 1	1.75	1 1/4	1	1.69	HEX
74754-22	1 1/2	2.00	1 1/2	1 1/2	2.31	OCT
74754-22	1 1/2 X 1	2.64	1 1/2	1	1.85	OCT
74754-22	1 1/2 X 1 1/4	2.31	1 1/2	1 1/4	2.00	OCT
74754-22	2 X 1 1/2	2.15	2	1 1/2	2.31	OCT
74754-22	2	2.04	2	2	2.81	OCT
74754-22	2 1/2	3.66	2 1/2	2 1/2	3.29	HEX



SUBMITTAL INFORMATION

- Manufactured in compliance with ANSI/AWWA C800 (latest revision)
- Brass components in contact with potable water conform to ASTM B584, UNS C89833 (latest revision) and identified with “NL”
- Certified to NSF/ANSI 61 and NSF/ANSI 372
- Brass components not in contact with potable water conform to ASTM B62 and ASTM B584, UNS C83600 -85-5-5-5 (latest revision)
- Large wrench flats provided for proper installation
- Insert stiffeners required on all flexible plastic connections



A.Y. McDonald Mfg. Co.
4800 Chavenelle Rd
Dubuque, IA 52002

Toll Free: 1-800-292-2737
sales@aymcdonald.com
aymcdonald.com

A.Y. McDonald considers the information on this assembly drawing correct when published. Item and option availability, including specifications, are subject to change without notice.

Submitted by: