

SUBMITTAL DATA SHEET

NL Service Fitting – 74753REP-3Q

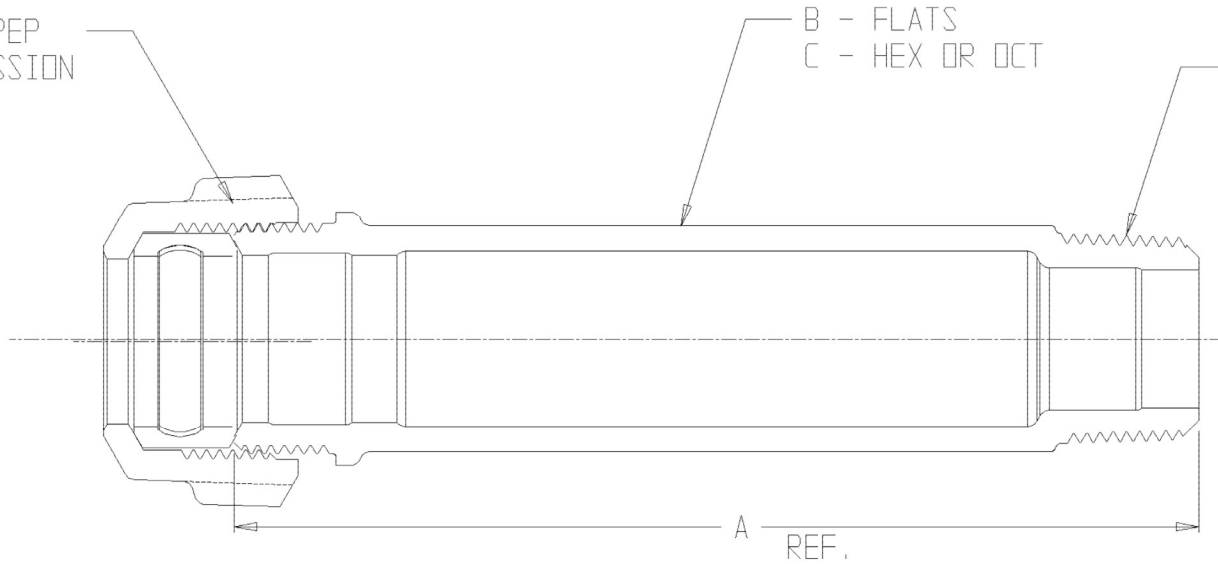
-3Q PEP Compression x MNPT



D - 3Q PEP
COMPRESSION

B - FLATS
C - HEX OR OCT

E - MNPT



MODEL	SIZE	A	B	C	D	E
74753REP-3Q	3/4 X 5.25	5.25	1.44	OCT	3/4	3/4
74753REP-3Q	1 X 5.25	5.25	1.72	OCT	1	1

SUBMITTAL INFORMATION

- Manufactured in compliance with ANSI/AWWA C800 (latest revision)
- Brass components in contact with potable water conform to ASTM B584, UNS C89833 (latest revision) and identified with “NL”
- Certified to NSF/ANSI 61 and NSF/ANSI 372
- Brass components not in contact with potable water conform to ASTM B62 and ASTM B584, UNS C83600 -85-5-5-5 (latest revision)
- Large wrench flats provided for proper installation
- Insert stiffeners required for all flexible plastic connections



A.Y. McDonald Mfg. Co.
4800 Chavenelle Rd
Dubuque, IA 52002

Toll Free: 1-800-292-2737
sales@aymcdonald.com
aymcdonald.com

A.Y. McDonald considers the information on this assembly drawing correct when published. Item and option availability, including specifications, are subject to change without notice.

Submitted by: