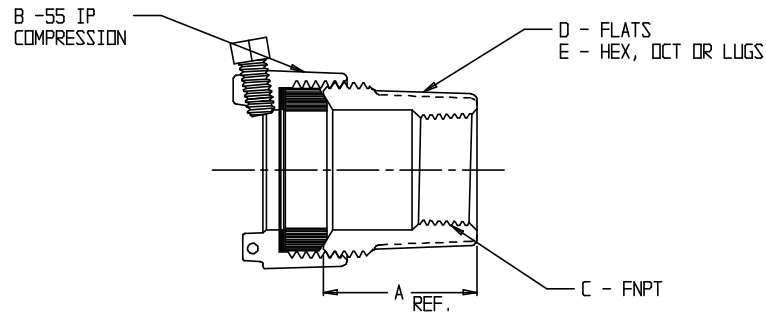


# SUBMITTAL DATA SHEET

NL Service Fitting – 74754-55

-55 IP Compression x FNPT



MODEL	SIZE	A	B	C	D	E
74754-55	3/4	1.40	3/4	3/4	1.37	OCT
74754-55	3/4 X 1	1.36	3/4	1	1.52	LUG
74754-55	3/4 X 1 1/2	2.66	3/4	1 1/2	1.85	OCT
74754-55	1	1.75	1	1	1.69	HEX
74754-55	1 X 3/4	1.92	1	3/4	1.88	HEX
74754-55	1 X 1 1/4	2.17	1	1 1/4	2.00	OCT
*74754-55	1 1/2	2.16	1 1/2	1 1/2	2.54	HEX
*74754-55	1 1/2 X 1 1/4	2.40	1 1/2	1 1/4	2.25	OCT
*74754-55	2	2.75	2	2	2.75	HEX
*74754-55	2 X 3/4	3.01	2	3/4	3.05	OCT
*74754-55	2 X 1	3.01	2	1	3.05	OCT

\*NOTE: USES 2 SET SCREWS

## SUBMITTAL INFORMATION

- Manufactured in compliance with ANSI/AWWA C800 (latest revision)
- Brass components in contact with potable water conform to ASTM B584, UNS C89833 (latest revision) and identified with “NL”
- Certified to NSF/ANSI 61 and NSF/ANSI 372
- Brass components not in contact with potable water conform to ASTM B62 and ASTM B584, UNS C83600 -85-5-5-5 (latest revision)
- Large wrench flats provided for proper installation



**A.Y. McDonald Mfg. Co.**  
4800 Chavenelle Rd  
Dubuque, IA 52002

**Toll Free: 1-800-292-2737**  
sales@aymcdonald.com  
[aymcdonald.com](http://aymcdonald.com)

A.Y. McDonald considers the information on this assembly drawing correct when published. Item and option availability, including specifications, are subject to change without notice.

**Submitted by:**