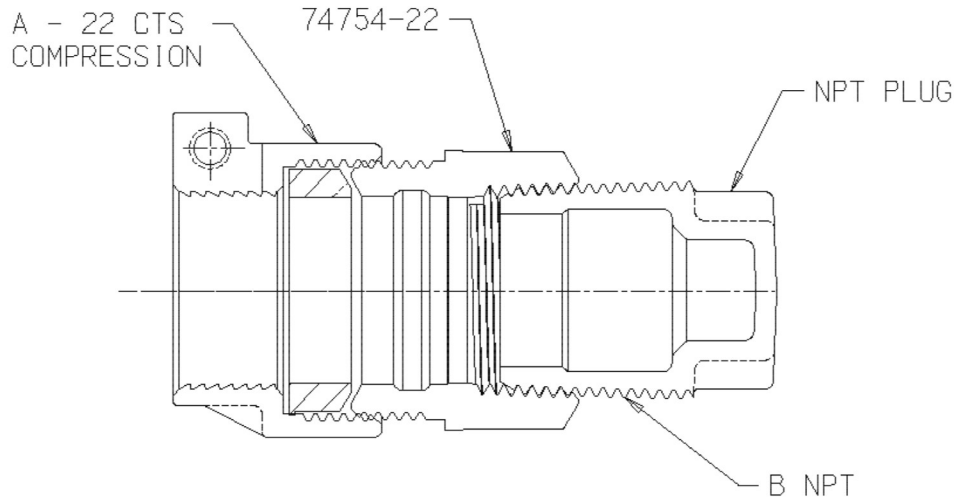


SUBMITTAL DATA SHEET



NL Service Fitting – 74754-22PLUG

-22 CTS Compression x NPT Plug



MODEL	SIZE	A	B
74754-22PLUG	3/4	3/4	3/4
74754-22PLUG	3/4 X 1	3/4	1
74754-22PLUG	1	1	1
74754-22PLUG	1 1/2	1 1/2	1 1/2
74754-22PLUG	2	2	2

SUBMITTAL INFORMATION

- Manufactured in compliance with ANSI/AWWA C800 (latest revision)
- Brass components in contact with potable water conform to ASTM B584, UNS C89833 (latest revision) and identified with “NL”
- Certified to NSF/ANSI 61 and NSF/ANSI 372
- Brass components not in contact with potable water conform to ASTM B62 and ASTM B584, UNS C83600 -85-5-5-5 (latest revision)
- Large wrench flats provided for proper installation
- Insert stiffeners required on all flexible plastic connections



A.Y. McDonald Mfg. Co.
4800 Chavenelle Rd
Dubuque, IA 52002

Toll Free: 1-800-292-2737
sales@aymcdonald.com
aymcdonald.com

A.Y. McDonald considers the information on this assembly drawing correct when published. Item and option availability, including specifications, are subject to change without notice.

Submitted by: