

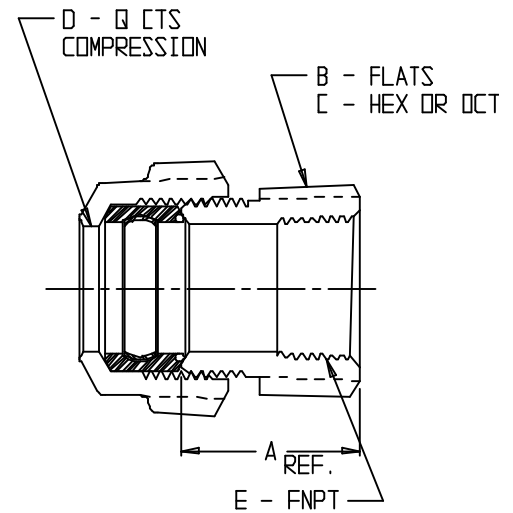
SUBMITTAL DATA SHEET

NL Service Fitting – 74754Q

Q CTS Compression x FNPT



| MODEL | SIZE | A | B | C | □ | E |
|--------|---------------|------|------|-----|-------|-------|
| 74754Q | 3/4 | 1.27 | 1.31 | HEX | 3/4 | 3/4 |
| 74754Q | 3/4 X 1 | 1.64 | 1.52 | OCT | 3/4 | 1 |
| 74754Q | 3/4 X 1 1/4 | 2.67 | 1.85 | OCT | 3/4 | 1 1/4 |
| 74754Q | 3/4 X 1 1/2 | 2.67 | 1.85 | OCT | 3/4 | 1 1/2 |
| 74754Q | 1 | 1.40 | 1.54 | OCT | 1 | 1 |
| 74754Q | 1 X 3/4 | 1.40 | 1.37 | OCT | 1 | 3/4 |
| 74754Q | 1 X 1 1/4 | 1.75 | 1.88 | OCT | 1 | 1 1/4 |
| 74754Q | 1 X 1 1/2 | 2.66 | 1.85 | OCT | 1 | 1 1/2 |
| 74754Q | 1 1/4 | 2.17 | 2.00 | OCT | 1 1/4 | 1 1/4 |
| 74754Q | 1 1/4 X 3/4 | 2.08 | 1.69 | HEX | 1 1/4 | 3/4 |
| 74754Q | 1 1/4 X 1 | 1.75 | 1.69 | HEX | 1 1/4 | 1 |
| 74754Q | 1 1/2 | 2.00 | 2.31 | OCT | 1 1/2 | 1 1/2 |
| 74754Q | 1 1/2 X 1 | 2.64 | 1.85 | OCT | 1 1/2 | 1 |
| 74754Q | 1 1/2 X 1 1/4 | 2.31 | 2.00 | OCT | 1 1/2 | 1 1/4 |
| 74754Q | 2 | 2.04 | 2.81 | OCT | 2 | 2 |



SUBMITTAL INFORMATION

- Manufactured in compliance with ANSI/AWWA C800 (latest revision)
- Brass components in contact with potable water conform to ASTM B584, UNS C89833 (latest revision) and identified with “NL”
- Certified to NSF/ANSI 61 and NSF/ANSI 372
- Brass components not in contact with potable water conform to ASTM B62 and ASTM B584, UNS C83600 -85-5-5-5 (latest revision)
- Large wrench flats provided for proper installation
- Insert stiffeners required on all flexible plastic connections



A.Y. McDonald Mfg. Co.
4800 Chavenelle Rd
Dubuque, IA 52002

Toll Free: 1-800-292-2737
sales@aymcdonald.com
aymcdonald.com

A.Y. McDonald considers the information on this assembly drawing correct when published. Item and option availability, including specifications, are subject to change without notice.

Submitted by: