

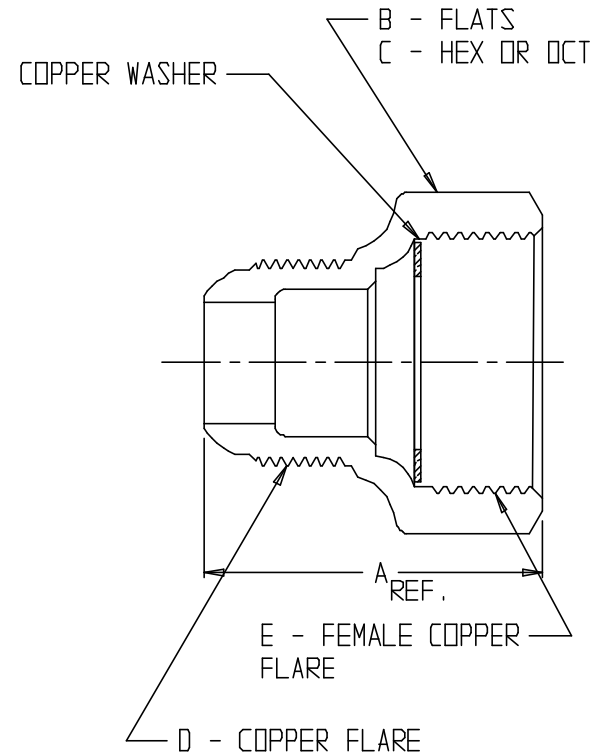
# SUBMITTAL DATA SHEET

NL Service Fitting – 74755L

Copper Flare x Female Copper Flare



MODEL	SIZE	A	B	C	D	E
74755L	1/2 X 3/4	1.86	1.50	OCT	1/2	3/4
74755L	3/4 X 1/2	1.60	1.31	HEX	3/4	1/2
74755L	3/4 X 1	2.08	1.81	HEX	3/4	1
74755L	1 X 3/4	2.16	1.63	HEX	1	3/4
74755L	1 X 1 1/4	2.50	2.42	OCT	1	1 1/4
74755L	1 X 1 1/2	2.69	2.81	OCT	1	1 1/2
74755L	1 X 2	2.98	3.56	OCT	1	2
74755L	1 1/4 X 1	2.44	2.38	HEX	1 1/4	1
74755L	1 1/4 X 1 1/2	2.90	2.81	OCT	1 1/4	1 1/2
74755L	1 1/4 X 2	3.30	3.56	OCT	1 1/4	2
74755L	1 1/2 X 2	3.29	3.56	OCT	1 1/2	2



## SUBMITTAL INFORMATION

- Manufactured in compliance with ANSI/AWWA C800 (latest revision)
- Brass components in contact with potable water conform to ASTM B584, UNS C89833 (latest revision) and identified with “NL”
- Certified to NSF/ANSI 61 and NSF/ANSI 372
- Brass components not in contact with potable water conform to ASTM B62 and ASTM B584, UNS C83600 -85-5-5-5 (latest revision)
- Large wrench flats provided for proper installation



**A.Y. McDonald Mfg. Co.**  
4800 Chavenelle Rd  
Dubuque, IA 52002

**Toll Free: 1-800-292-2737**  
sales@aymcdonald.com  
[aymcdonald.com](http://aymcdonald.com)

A.Y. McDonald considers the information on this assembly drawing correct when published. Item and option availability, including specifications, are subject to change without notice.

**Submitted by:**