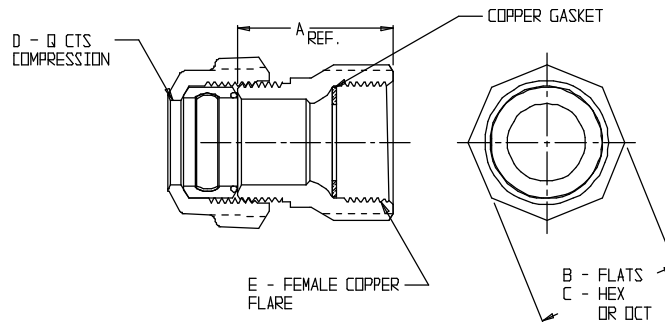


SUBMITTAL DATA SHEET

NL Service Fitting – 74755Q

Q CTS Compression x Female Copper Flare



MODEL	SIZE	A	B	C	D	E
74755Q	3/4	1.64	1.52	OCT	3/4	3/4
74755Q	3/4 X 1/2	1.54	1.31	HEX	3/4	1/2
74755Q	3/4 X 1	1.93	1.81	HEX	3/4	1
74755Q	1	1.75	1.88	OCT	1	1
74755Q	1 X 3/4	1.88	1.63	HEX	1	3/4
74755Q	1 X 1 1/4	2.26	2.42	OCT	1	1 1/4
74755Q	1 X 1 1/2	2.46	2.81	OCT	1	1 1/2
74755Q	1 1/4	2.20	2.38	HEX	1 1/4	1 1/4
74755Q	1 1/4 X 3/4	1.93	1.56	LUG	1 1/4	3/4
74755Q	1 1/4 X 1	2.17	2.00	OCT	1 1/4	1
74755Q	1 1/4 X 2	3.08	3.58	OCT	1 1/4	2
74755Q	1 1/2	2.90	2.75	OCT	1 1/2	1 1/2
74755Q	1 1/2 X 2	3.29	3.56	OCT	1 1/2	2
74755Q	2	3.19	3.56	HEX	2	2

SUBMITTAL INFORMATION

- Manufactured in compliance with ANSI/AWWA C800 (latest revision)
- Brass components in contact with potable water conform to ASTM B584, UNS C89833 (latest revision) and identified with “NL”
- Certified to NSF/ANSI 61 and NSF/ANSI 372
- Brass components not in contact with potable water conform to ASTM B62 and ASTM B584, UNS C83600 -85-5-5-5 (latest revision)
- Large wrench flats provided for proper installation
- Insert stiffeners required on all flexible plastic connections



A.Y. McDonald Mfg. Co.
4800 Chavenelle Rd
Dubuque, IA 52002

Toll Free: 1-800-292-2737
sales@aymcdonald.com
aymcdonald.com

A.Y. McDonald considers the information on this assembly drawing correct when published. Item and option availability, including specifications, are subject to change without notice.

Submitted by: