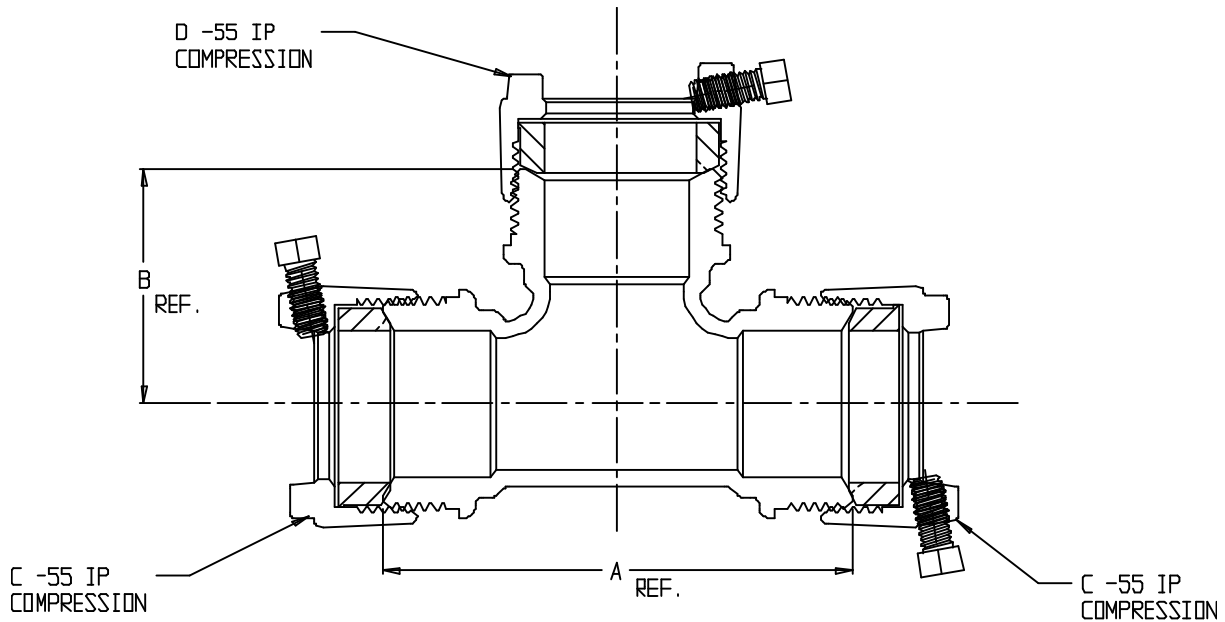


SUBMITTAL DATA SHEET



NL Service Fitting – 74760-55

-55 IP Compression x -55 IP Compression x -55 IP Compression



MODEL	SIZE	A	B	C	D
74760-55	3/4	3.52	1.76	3/4	3/4
74760-55	1	4.20	2.10	1	1
74760-55	1 1/2	6.00	3.00	1 1/2	1 1/2
74760-55	2	7.08	3.54	2	2

SUBMITTAL INFORMATION

- Manufactured in compliance with ANSI/AWWA C800 (latest revision)
- Brass components in contact with potable water conform to ASTM B584, UNS C89833 (latest revision) and identified with “NL”
- Certified to NSF/ANSI 61 and NSF/ANSI 372
- Brass components not in contact with potable water conform to ASTM B62 and ASTM B584, UNS C83600 -85-5-5-5 (latest revision)
- Large wrench flats provided for proper installation



A.Y. McDonald Mfg. Co.
4800 Chavenelle Rd
Dubuque, IA 52002

Toll Free: 1-800-292-2737
sales@aymcdonald.com
aymcdonald.com

A.Y. McDonald considers the information on this assembly drawing correct when published. Item and option availability, including specifications, are subject to change without notice.

Submitted by: