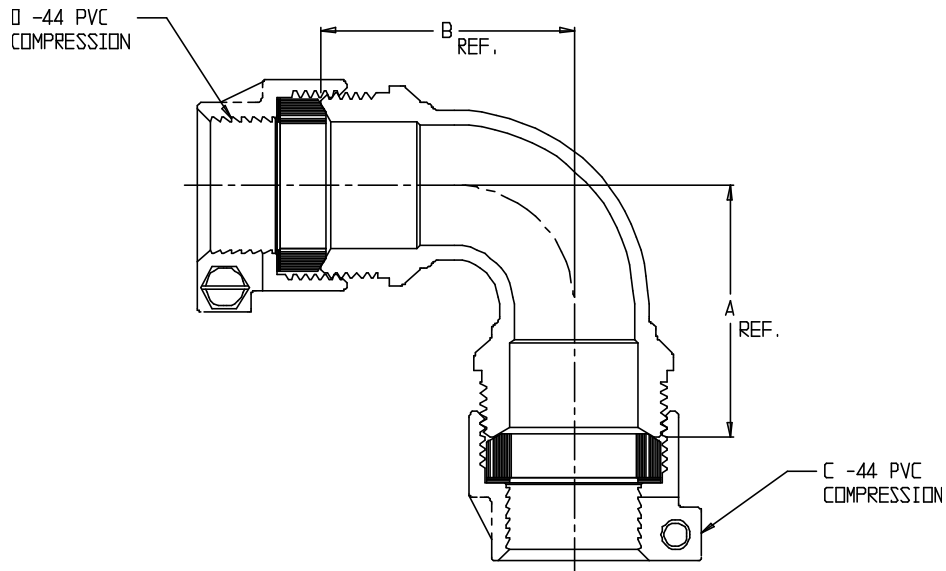


# SUBMITTAL DATA SHEET

NL Service Fitting – 74761-44

-44 PVC Compression x -44 PVC Compression



MODEL	SIZE	A	B	C	D
74761-44	3/4	2.16	2.16	3/4	3/4
74761-44	3/4 X 1	2.16	2.50	3/4	1
74761-44	1	2.81	2.25	1	1
74761-44	1 1/4	3.28	3.28	1 1/4	1 1/4
74761-44	1 1/2	3.03	3.03	1 1/2	1 1/2
74761-44	2	3.62	3.62	2	2

## SUBMITTAL INFORMATION

- Manufactured in compliance with ANSI/AWWA C800 (latest revision)
- Brass components in contact with potable water conform to ASTM B584, UNS C89833 (latest revision) and identified with “NL”
- Certified to NSF/ANSI 61 and NSF/ANSI 372
- Brass components not in contact with potable water conform to ASTM B62 and ASTM B584, UNS C83600 -85-5-5-5 (latest revision)
- Large wrench flats provided for proper installation



**A.Y. McDonald Mfg. Co.**  
4800 Chavenelle Rd  
Dubuque, IA 52002

**Toll Free: 1-800-292-2737**  
sales@aymcdonald.com  
[aymcdonald.com](http://aymcdonald.com)

A.Y. McDonald considers the information on this assembly drawing correct when published. Item and option availability, including specifications, are subject to change without notice.

**Submitted by:**