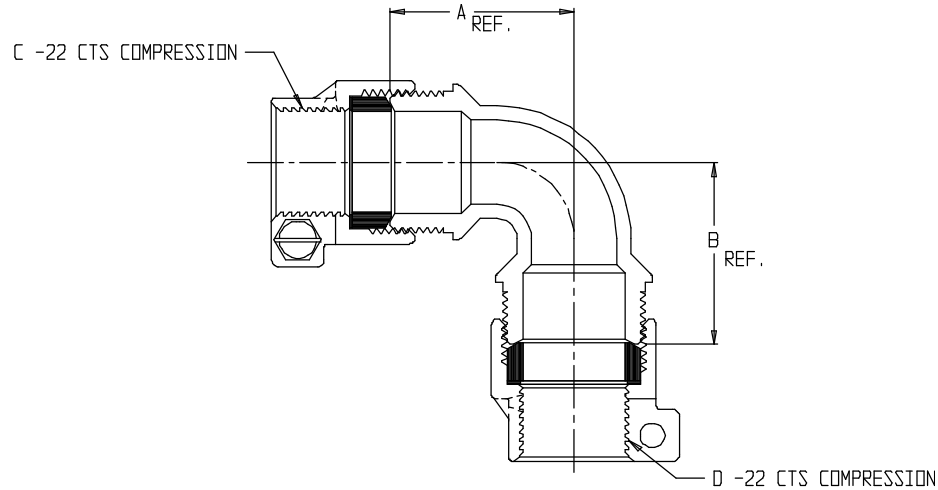


SUBMITTAL DATA SHEET



NL Service Fitting – 74761-22

-22 CTS Compression x -22 CTS Compression



MODEL	SIZE	A	B	C	D
74761-22	3/4	1.62	1.62	3/4	3/4
74761-22	3/4 X 1	1.92	1.88	3/4	1
74761-22	1	2.13	2.13	1	1
74761-22	1 X 1 1/4	2.18	2.50	1	1 1/4
74761-22	1 1/4	2.81	2.25	1 1/4	1 1/4
74761-22	1 1/2	2.91	2.91	1 1/2	1 1/2
74761-22	2	3.10	3.10	2	2
74761-22	2 1/2	3.62	3.62	2 1/2	2 1/2

SUBMITTAL INFORMATION

- Manufactured in compliance with ANSI/AWWA C800 (latest revision)
- Brass components in contact with potable water conform to ASTM B584, UNS C89833 (latest revision) and identified with “NL”
- Certified to NSF/ANSI 61 and NSF/ANSI 372
- Brass components not in contact with potable water conform to ASTM B62 and ASTM B584, UNS C83600 -85-5-5-5 (latest revision)
- Large wrench flats provided for proper installation
- Insert stiffeners required on all flexible plastic connections



A.Y. McDonald Mfg. Co.
4800 Chavenelle Rd
Dubuque, IA 52002

Toll Free: 1-800-292-2737
sales@aymcdonald.com
aymcdonald.com

A.Y. McDonald considers the information on this assembly drawing correct when published. Item and option availability, including specifications, are subject to change without notice.

Submitted by: