

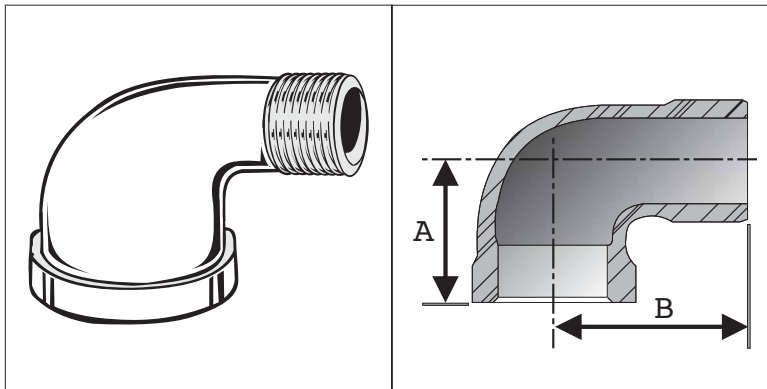
SUBMITTAL DATA SHEET

Threaded Bronze Pipe Fittings
90° Street Elbow

2291



A.Y. McDonald Mfg. Co. Pipe Fittings are constructed from heavy duty bronze and are rated for commercial, industrial and residential applications up to 125 WOG. Threads conform to ANSI B1.20.1 and fitting dimensions comply with ANSI B16.15.



Model Number	Size	Dimensions		Case Quantity Master	Case Quantity Inner	Weight Per Pcs.
		A	B			
2291	3/8"	0.83	1.22	300	5	0.18
2291	1/2"	1.02	1.50	200	5	0.24
2291	3/4"	1.18	1.65	100	5	0.33
2291	1"	1.42	1.97	75	5	0.69
2291	1 1/4"	1.69	2.24	40	5	1.06
2291	1 1/2"	1.85	2.44	35	5	1.28
2291	2"	2.13	2.87	20	2	1.95

SUBMITTAL INFORMATION

- **Materials**
C89833, AWWA C800, ASTM B584
- **Fitting Dimensions**
ANSI B16.15, Class 125
- **Union Dimensions**
WWW-U-516-B
- **Threads**
ANSI / ASME B1.20.1



A.Y. McDonald Mfg. Co.
4800 Chavenelle Rd
Dubuque, IA 52002

Toll Free: 1-800-292-2737
sales@aymcdonald.com
aymcdonald.com

A.Y. McDonald considers the information on this assembly drawing correct when published. Item and option availability, including specifications, are subject to change without notice.

Submitted by: