

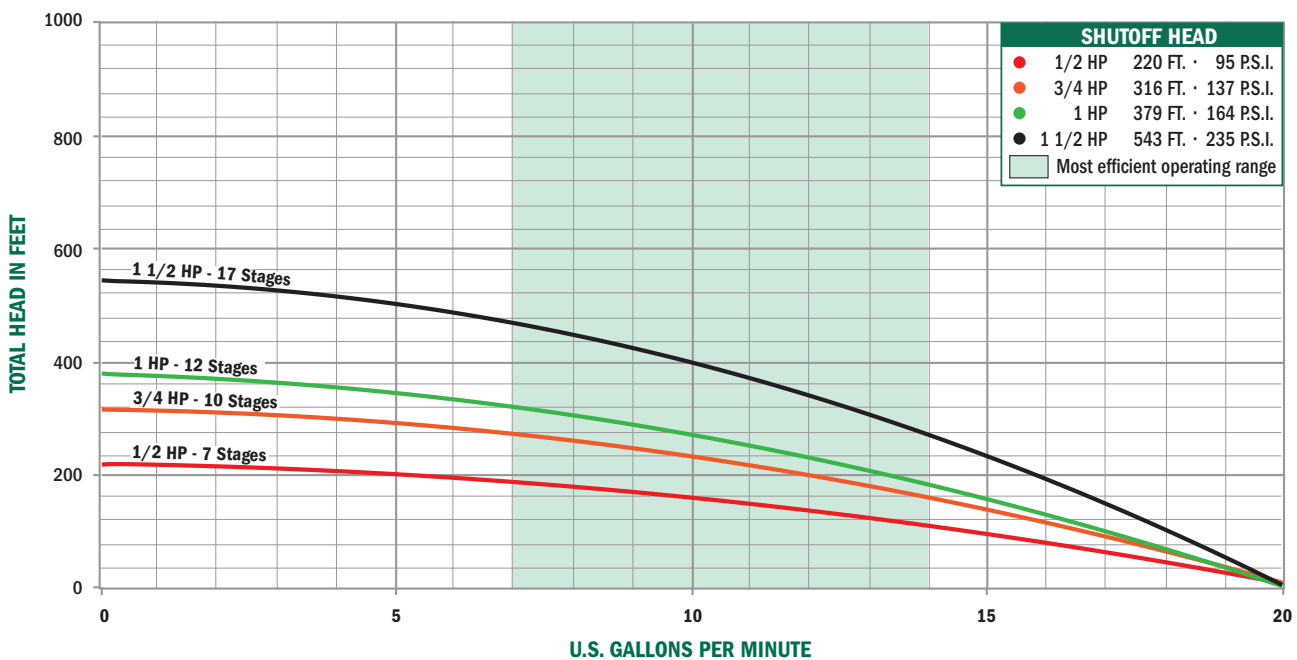
# SUBMITTAL DATA SHEET

25000 Series Thermoplastic  
4" No-Lead Stainless Steel Submersible Pumps

## K - 10 GPM



All Thermoplastic Submersible Pumps are designed to pump within the 10 gallons per minute (GPM) range. Sizes are available from 1/2 to 1 1/2 HP. All models are standard with 1 1/4" NPT discharge.



**NO-LEAD:** The weighted average of the wetted surface of this no-lead product contacted by consumable water contains less than one quarter of one percent (0.25%) lead.



**A.Y. McDonald Mfg. Co.**  
4800 Chavenelle Rd  
Dubuque, IA 52002

**Toll Free:** 1-800-292-2737  
sales@aymcdonald.com  
aymcdonald.com

A.Y. McDonald considers the information on this assembly drawing correct when published. Item and option availability, including specifications, are subject to change without notice.

**Submitted by:**

# SUBMITTAL DATA SHEET

## 25000 Series Thermoplastic 4" No-Lead Stainless Steel Submersible Pumps K - 10 GPM



### Two Wire Single Phase

Part No.	Model No.	HP	Stages	Volt	A	B	Wt.
6630-503	25050K2A	1/2	7	115V	13.5"	13.4"	28
6630-444	25050K2	1/2	7	230V	13.5"	13.0"	28
6630-443	25075K2	3/4	10	230V	15.6"	13.8"	32
6630-442	25100K2	1	12	230V	17.0"	16.8"	38
6630-441	25150K2	1 1/2	17	230V	20.5"	18.5"	42

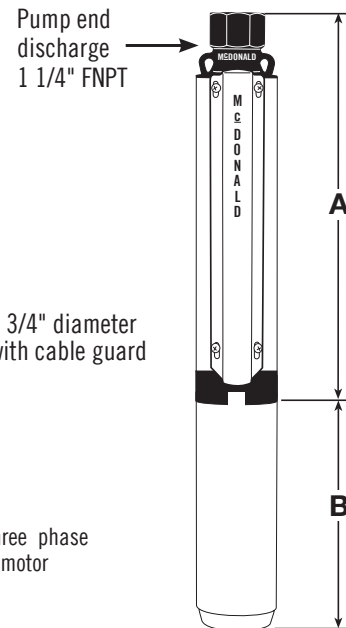
### Three Wire\*\* Single Phase

Part No.	Model No.	HP	Stages	Volt	A	B	Wt.
6630-874	25050K3A	1/2	7	115V	13.5"	9.5"	28
6630-465	25050K3	1/2	7	230V	13.5"	10.5"	28
6630-464	25075K3	3/4	10	230V	15.6"	11.3"	31
6630-463	25100K3	1	12	230V	17.0"	13.6"	35
6630-462	25150K3	1 1/2	17	230V	20.5"	16.2"	41

### 4" Thermoplastic Pump Ends

Part No.	Model No.	HP	Wt.
6630-421	25050K	1/2	6
6630-420	25075K	3/4	7
6630-419	25100K	1	8
6630-418	25150K	1 1/2	10

\*\* All three wire pumps are available in three phase by selecting pump end and appropriate motor and starter kit.



### Output - in Gallons Per Minute (Depth to Water)

1/2 HP	PSI	25'	50'	75'	100'	125'	150'	175'	200'
	0	19.2	17.8	16.3	14.7	12.9	10.9	8.5	5.2
	30	15.1	13.4	11.4	9.1	6.1			
	50	11.7	9.5	6.6					
	60	9.7	6.9						

3/4 HP	PSI	25'	50'	75'	100'	125'	150'	175'	200'	225'	250'	275'	300'
	0	19.5	18.6	17.6	16.7	15.6	14.5	13.3	12.0	10.5	8.8	6.8	3.9
	30	16.9	15.9	14.8	13.6	12.3	10.9	9.2	7.3	4.7			
	50	14.9	13.8	12.5	11.1	9.5	7.6	5.2					
	60	13.9	12.6	11.2	9.6	7.8	5.4						

1 HP	PSI	25'	50'	75'	100'	125'	150'	175'	200'	225'	250'	275'	300'	325'	350'	375'
	0	19.4	18.6	17.8	17.0	16.2	15.3	14.3	13.3	12.3	11.1	9.8	8.4	6.7	4.5	1.0
	30	17.2	16.4	15.5	14.6	13.6	12.5	11.4	10.1	8.7	7.1	5.1	2.1			
	50	15.6	14.7	13.7	12.7	11.5	10.3	8.9	7.3	5.4	2.7					
	60	14.8	13.8	12.8	11.6	10.4	9.0	7.5	5.6	3.0						

1 1/2 HP	PSI	50'	100'	150'	200'	250'	300'	350'	400'	450'	500'
	0	19.1	18.1	17.0	15.8	14.6	13.2	11.7	10.0	7.9	5.2
	30	17.7	16.6	15.4	14.1	12.6	11.1	9.2	7.0	3.7	
	50	16.6	15.5	14.2	12.8	11.2	9.4	7.2	4.0		
	60	16.1	14.9	13.5	12.1	10.4	8.4	5.9			

FRICITION LOSSES IN RISER PIPE HAVE NOT BEEN CALCULATED

NO-LEAD: The weighted average of the wetted surface of this no-lead product contacted by consumable water contains less than one quarter of one percent (0.25%) lead.



**A.Y. McDonald Mfg. Co.**  
4800 Chavenelle Rd  
Dubuque, IA 52002

**Toll Free: 1-800-292-2737**  
sales@aymcdonald.com  
aymcdonald.com

A.Y. McDonald considers the information on this assembly drawing correct when published. Item and option availability, including specifications, are subject to change without notice.

Submitted by: