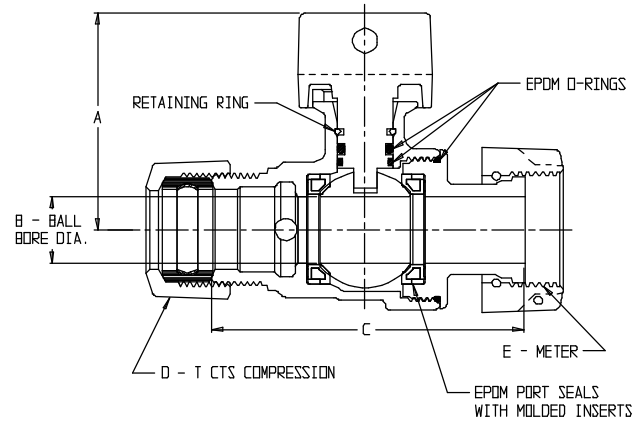
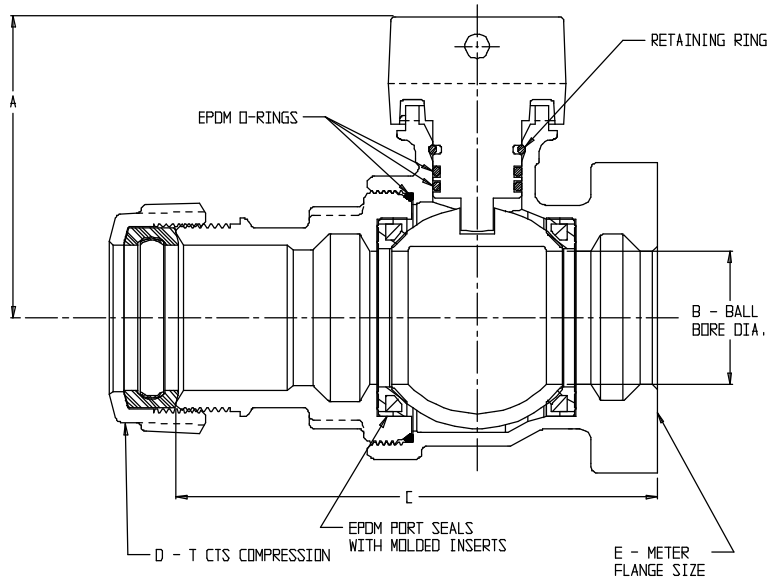


# SUBMITTAL DATA SHEET

## NL Ball Style Meter Stop – 76100MT

T CTS Compression x Meter



MODEL	SIZE	A	B	C	D	E
76100MT	1 1/2	3.40	1.50	5.43	1 1/2	1 1/2
76100MT	2	3.70	2.00	6.32	2	1 1/2 OR 2

MODEL	SIZE	A	B	C	D	E
76100MT	3/4 X 5/8 X 5/8	2.29	.62	3.22	3/4	5/8
76100MT	3/4 X 5/8 X 3/4	2.29	.62	3.24	3/4	5/8 X 3/4, 3/4
76100MT	3/4	2.39	.75	3.52	3/4	5/8 X 3/4, 3/4
76100MT	1 X 3/4 X 3/4	2.39	.75	3.56	1	5/8 X 3/4, 3/4
76100MT	1 X 3/4 X 1	2.39	.75	3.65	1	1
76100MT	1	2.65	1.00	4.47	1	1
76100MT	1 1/4 X 1 X 1	2.65	1.00	4.77	1 1/4	1

### SUBMITTAL INFORMATION

- Manufactured in compliance with ANSI/AWWA C800 (latest revision)
- Brass components in contact with potable water conform to ASTM B584, UNS C89833 (latest revision) and identified with "NL"
- Certified to NSF/ANSI 61 and NSF/ANSI 372
- Brass components not in contact with potable water conform to ASTM B62 and ASTM B584, UNS C83600 -85-5-5-5 (latest revision)
- PTFE coated brass ball
- Valve rated for 300 PSIG water pressure, end connections not to exceed rated pipe pressures.
- Blow out proof EPDM port seals
- End piece joint sealed with an EPDM o-ring and thread locker
- Insert stiffener required on all flexible plastic connections



**A.Y. McDonald Mfg. Co.**  
4800 Chavenelle Rd  
Dubuque, IA 52002

**Toll Free: 1-800-292-2737**  
sales@aymcdonald.com  
[aymcdonald.com](http://aymcdonald.com)

A.Y. McDonald considers the information on this assembly drawing correct when published. Item and option availability, including specifications, are subject to change without notice.

**Submitted by:**