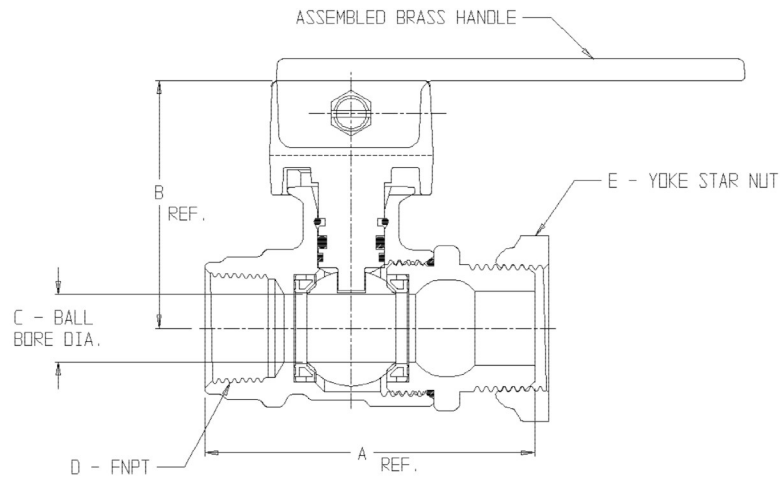


SUBMITTAL DATA SHEET

NL Ball Style Meter Stop – 76101YHDLB

FNPT x Yoke Star Nut



MODEL	SIZE	A	B	C	D	E
76101YHDLB	3/4 X 5/8 X 01	3.08	2.32	.63	3/4	5/8
76101YHDLB	3/4 X 5/8 X 02	3.08	2.32	.63	3/4	5/8 X 3/4, 3/4
76101YHDLB	3/4 X 3/4 X 01	2.82	2.39	.75	3/4	5/8
76101YHDLB	3/4 X 3/4 X 02	2.82	2.39	.75	3/4	5/8 X 3/4, 3/4
76101YHDLB	1 X 3/4 X 01	2.97	2.39	.75	1	5/8
76101YHDLB	1 X 3/4 X 02	2.97	2.39	.75	1	5/8 X 3/4, 3/4
76101YHDLB	1 X 3/4 X 04	2.80	2.39	.75	1	1
76101YHDLB	1 X 1 X 04	3.98	2.65	1.00	1	1

SUBMITTAL INFORMATION

- Manufactured in compliance with ANSI/AWWA C800 (latest revision)
- Brass components in contact with potable water conform to ASTM B584, UNS C89833 (latest revision) and identified with “NL”
- Certified to NSF/ANSI 61 and NSF/ANSI 372
- Brass components not in contact with potable water conform to ASTM B62 and ASTM B584, UNS C83600 -85-5-5-5 (latest revision)
- PTFE coated brass ball
- Valve rated for 300 PSIG water pressure, end connections not to exceed rated pipe pressures.
- Blow out proof EPDM port seals
- End piece joint sealed with an EPDM o-ring and thread locker



A.Y. McDonald Mfg. Co.
4800 Chavenelle Rd
Dubuque, IA 52002

Toll Free: 1-800-292-2737
sales@aymcdonald.com
aymcdonald.com

A.Y. McDonald considers the information on this assembly drawing correct when published. Item and option availability, including specifications, are subject to change without notice.

Submitted by: