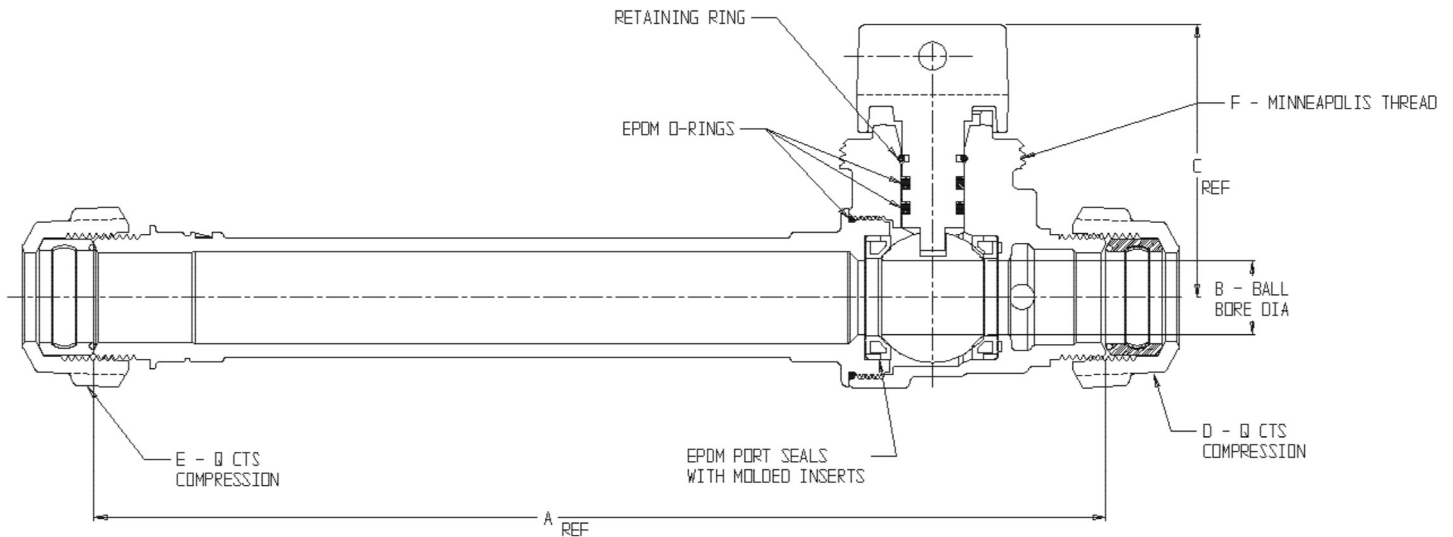


SUBMITTAL DATA SHEET

NL Ball Style Curb Stop – 76104REPQ

Q CTS Compression x Q CTS Compression



| MODEL | SIZE | A | B | C | D | E | F |
|-----------|---------------------------|-------|------|------|-------|-------|-------|
| 76104REPQ | 3/4 X 10.12 | 10.12 | .75 | 2.39 | 3/4 | 3/4 | 1 1/2 |
| 76104REPQ | 1 X 10.50 | 10.50 | 1.00 | 2.65 | 1 | 1 | 1 1/2 |
| 76104REPQ | 1 1/4 X 1 X 1 1/4 X 10.75 | 10.81 | 1.00 | 2.65 | 1 1/2 | 1 1/2 | 1 1/2 |
| 76104REPQ | 1 1/2 X 11 | 10.94 | 1.5 | 3.19 | 1 1/2 | 1 1/2 | 2 |
| 76104REPQ | 2 X 11 | 10.82 | 2.00 | 3.51 | 2 | 2 | 2 |

SUBMITTAL INFORMATION

- Manufactured in compliance with ANSI/AWWA C800 (latest revision)
- Brass components in contact with potable water conform to ASTM B584, UNS C89833 (latest revision) and identified with “NL”
- Certified to NSF/ANSI 61 and NSF/ANSI 372
- Brass components not in contact with potable water conform to ASTM B62 and ASTM B584, UNS C83600 -85-5-5-5 (latest revision)
- PTFE coated brass ball
- Valve rated for 300 PSIG water pressure, end connections not to exceed rated pipe pressures.
- Blow out proof EPDM port seals
- End piece joint sealed with an EPDM o-ring and thread locker
- Insert stiffeners required on all flexible plastic connections



A.Y. McDonald Mfg. Co.
4800 Chavenelle Rd
Dubuque, IA 52002

Toll Free: 1-800-292-2737
sales@aymcdonald.com
aymcdonald.com

A.Y. McDonald considers the information on this assembly drawing correct when published. Item and option availability, including specifications, are subject to change without notice.

Submitted by: