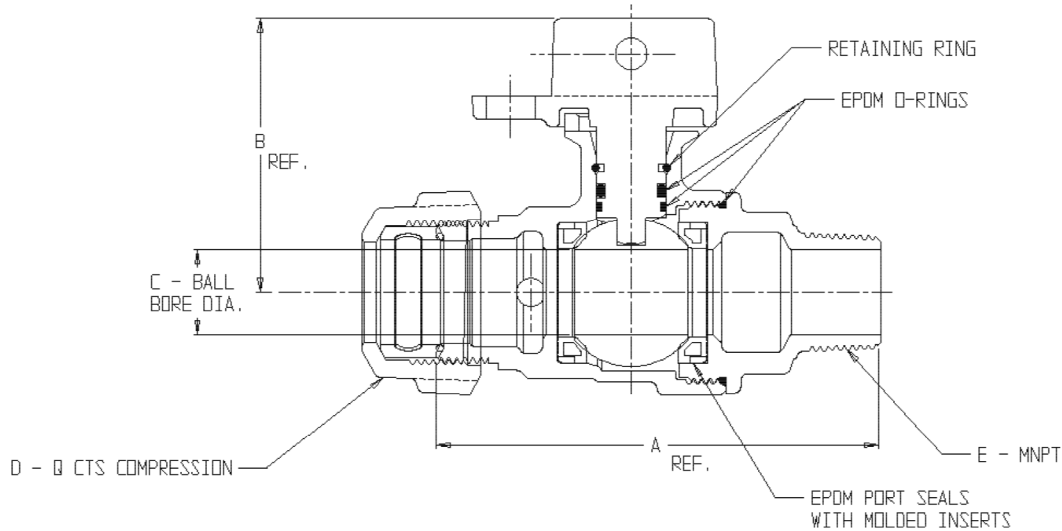


# SUBMITTAL DATA SHEET



## NL Ball Style Curb Stop – 76107WQ

Q CTS Compression x MNPT



MODEL	SIZE	A	B	C	D	E
76107WQ	3/4	3.93	2.42	.75	3/4	3/4
76107WQ	3/4 X 3/4 X 1	4.10	2.42	.75	3/4	1
76107WQ	1	4.50	2.65	1.00	1	1
76107WQ	1 1/4	6.06	2.94	1.25	1 1/4	1 1/4
76107WQ	1 1/2	6.05	3.40	1.50	1 1/2	1 1/2
76107WQ	2	6.88	3.70	2.00	2	2

### SUBMITTAL INFORMATION

- Manufactured in compliance with ANSI/AWWA C800 (latest revision)
- Brass components in contact with potable water conform to ASTM B584, UNS C89833 (latest revision) and identified with “NL”
- Certified to NSF/ANSI 61 and NSF/ANSI 372
- Brass components not in contact with potable water conform to ASTM B62 and ASTM B584, UNS C83600 -85-5-5-5 (latest revision)
- PTFE coated brass ball
- Valve rated for 300 PSIG water pressure, end connections not to exceed rated pipe pressures.
- Blow out proof EPDM port seals
- End piece joint sealed with an EPDM o-ring and thread locker
- Insert stiffeners required on all flexible plastic connections



**A.Y. McDonald Mfg. Co.**  
4800 Chavenelle Rd  
Dubuque, IA 52002

**Toll Free: 1-800-292-2737**  
sales@aymcdonald.com  
[aymcdonald.com](http://aymcdonald.com)

A.Y. McDonald considers the information on this assembly drawing correct when published. Item and option availability, including specifications, are subject to change without notice.

**Submitted by:**