

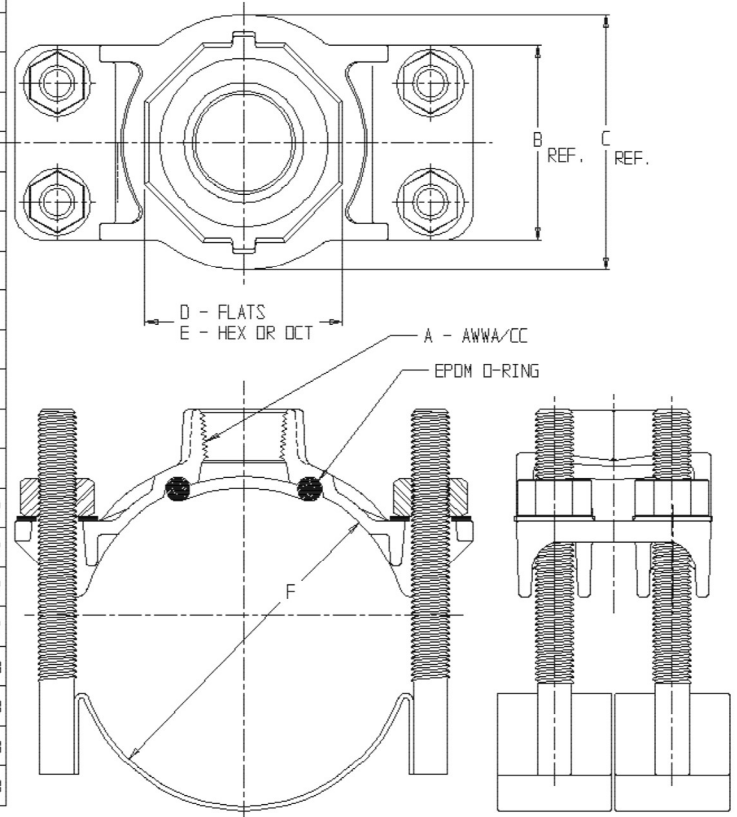
SUBMITTAL DATA SHEET



SS Strap Saddle – 3855U

C900 PVC x AWWA/CC

| MODEL | SIZE | A | B | C | D | E | F |
|-------|------------|-------|------|------|------|-----|---------------|
| 3855U | 4 X 3/4 | 3/4 | 3.19 | 3.19 | 1.69 | HEX | 4.74 - 5.40 |
| 3855U | 4 X 1 | 1 | 3.19 | 3.19 | 1.69 | HEX | 4.74 - 5.40 |
| 3855U | 4 X 1 1/2 | 1 1/2 | 3.19 | 4.19 | 3.10 | OCT | 4.74 - 5.40 |
| 3855U | 4 X 2 | 2 | 3.19 | 4.19 | 3.45 | OCT | 4.74 - 5.40 |
| 3855U | 6 X 3/4 | 3/4 | 3.19 | 3.19 | 1.69 | HEX | 6.84 - 7.50 |
| 3855U | 6 X 1 | 1 | 3.19 | 3.19 | 1.69 | HEX | 6.84 - 7.50 |
| 3855U | 6 X 1 1/2 | 1 1/2 | 3.19 | 4.19 | 3.10 | OCT | 6.84 - 7.50 |
| 3855U | 6 X 2 | 2 | 3.19 | 4.19 | 3.45 | OCT | 6.84 - 7.50 |
| 3855U | 8 X 3/4 | 3/4 | 3.19 | 3.19 | 1.69 | HEX | 8.99 - 9.67 |
| 3855U | 8 X 1 | 1 | 3.19 | 3.19 | 1.69 | HEX | 8.99 - 9.67 |
| 3855U | 8 X 1 1/2 | 1 1/2 | 3.19 | 4.19 | 3.10 | OCT | 8.99 - 9.67 |
| 3855U | 8 X 2 | 2 | 3.19 | 4.19 | 3.45 | OCT | 8.99 - 9.67 |
| 3855U | 10 X 3/4 | 3/4 | 3.19 | 3.19 | 1.69 | HEX | 11.04 - 12.12 |
| 3855U | 10 X 1 | 1 | 3.19 | 3.19 | 1.69 | HEX | 11.04 - 12.12 |
| 3855U | 10 X 1 1/2 | 1 1/2 | 3.19 | 4.19 | 3.10 | OCT | 11.04 - 12.12 |
| 3855U | 10 X 2 | 2 | 3.19 | 4.19 | 3.45 | OCT | 11.04 - 12.12 |
| 3855U | 12 X 3/4 | 3/4 | 3.19 | 3.19 | 1.69 | HEX | 13.14 - 14.58 |
| 3855U | 12 X 1 | 1 | 3.19 | 3.19 | 1.69 | HEX | 13.14 - 14.58 |
| 3855U | 12 X 1 1/2 | 1 1/2 | 3.19 | 4.19 | 3.10 | OCT | 13.14 - 14.58 |
| 3855U | 12 X 2 | 2 | 3.19 | 4.19 | 3.45 | OCT | 13.14 - 14.58 |



** ALL STAINLESS STEEL STRAPS ARE 1.88" WIDE.
TWO STRAPS (WITH 2 STUDS WELDED ON) PER ASSEMBLY.

SUBMITTAL INFORMATION

- Manufactured in compliance with ANSI/AWWA C800 (latest revision)
- Brass components conform to ASTM B62 and ASTM B584, UNS C83600 -85-5-5-5 (latest revision)
- Certified to NSF/ANSI 61
- 304L Stainless Steel strap(s) and 5/8" studs. Stainless steel nuts (PTFE coated) and washers
- EPDM o-ring
- Pipe and tap size, and thread type identified on saddle
- Outlet boss with large wrench flats



A.Y. McDonald Mfg. CO.
4800 Chavenelle Rd
Dubuque, IA 52002

Toll Free: 1-800-292-2737
sales@aymcdonald.com
aymcdonald.com

A.Y. McDonald considers the information on this assembly drawing correct when published. Item and option availability, including specifications, are subject to change without notice.

Submitted by: