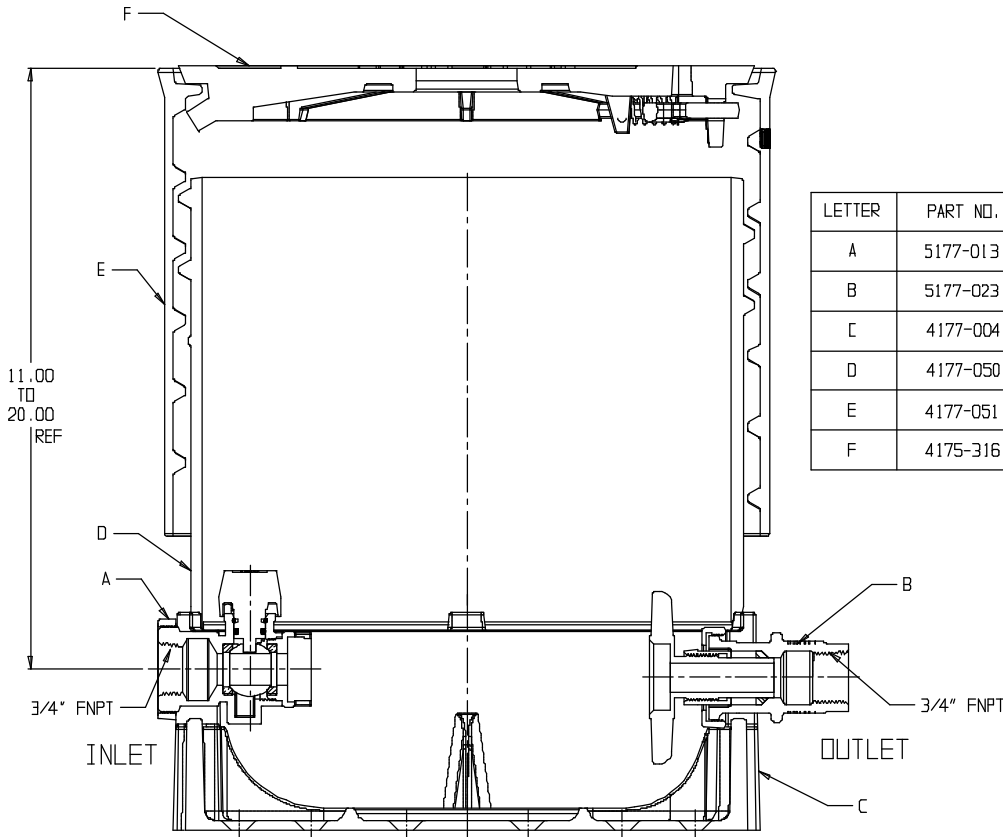


SUBMITTAL DATA SHEET

CR Box – 777R211BCGG 333

FNPT X FNPT



LETTER	PART NO.	DESCRIPTION
A	5177-013	76101X 3/4 X 5/8 X 3/4 BALL VALVE
B	5177-023	74754XB 5/8 X 3/4 EXPANDER X 3/4 FIP
C	4177-004	77-1BT 5/8 & 5/8x3/4 BASE TRAY
D	4177-050	77RUSINNER ROTATIONAL UPPER SECTION INSIDE
E	4177-051	77RUSOUTER ROTATIONAL UPPER SECTION OUTSIDE
F	4175-316	75L43 LOCKING LID WITH 2" HOLE

SUBMITTAL INFORMATION

- Manufactured in compliance with ANSI/AWWA C800 (latest revision)
- Brass components in contact with potable water conform to ASTM B584, UNS C89833 (latest revision) and identified with "NL"
- Brass components not in contact with potable water conform to ASTM B62 and ASTM B584, UNS C83600 -85-5-5-5 (latest revision)
- Cast iron components conforms to ASTM A126 Class B or ASTM A159 Grade 2500 (latest revision) and coated with black dip
- Designed to provide proper meter spacing for ease of installation



A.Y. McDonald Mfg. CO.
4800 Chavenelle Rd
Dubuque, IA 52002

Toll Free: 1-800-292-2737
sales@aymcdonald.com
aymcdonald.com

A.Y. McDonald considers the information on this assembly drawing correct when published. Item and option availability, including specifications, are subject to change without notice.

Submitted by: