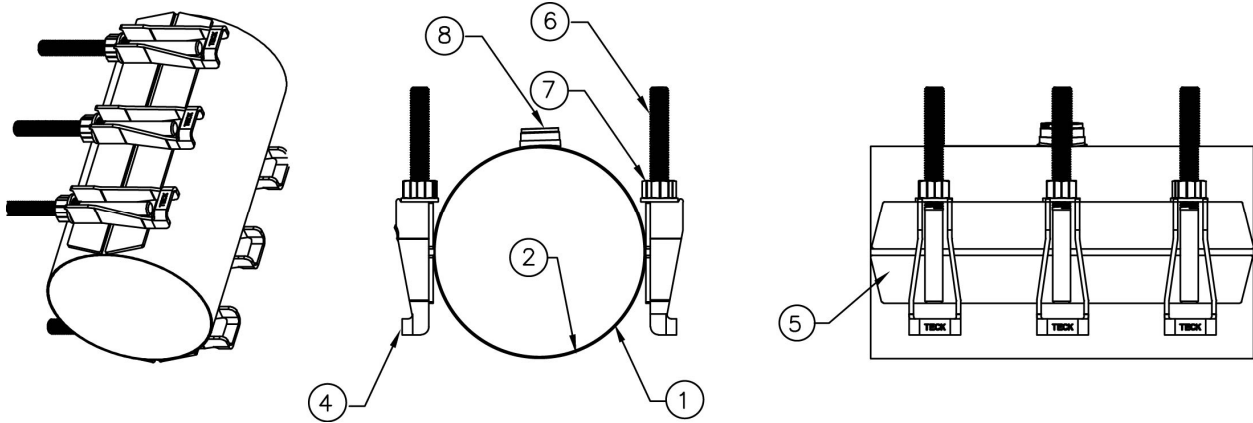


# SUBMITTAL DATA SHEET

## Stainless Steel Repair Clamp – 835T

6" – 20" Diameters 3/4" – 2" Taps



### PARTS AND MATERIAL

- |                    |  |
|--------------------|--|
| 1. Band:           | 304 Stainless Steel<br>Available widths 12", 16", 20", 24"<br>Available diameters, 6" to 20", nominal sizes, custom sizes available. |
| 2. Gasket:         | Grid gaskets with taper joints are made from Nitrile meets ASTM D2000 & NSF 61   |
| 3. Lifter Plate:   | 18-8 type 304 Stainless Steel  |
| 4. Finger Bracket: | 18-8 type 304 Stainless Steel  |
| 5. Side Bar:       | 18-8 type 304 Stainless Steel  |
| 6. Studs:          | Stainless Steel 5/8" roll NC thread  |
| 7. Nuts:           | 5/8-11 Stainless Steel heavy hex nuts coated to prevent galling  |
| 8. Stainless Taps: | 304 Stainless Steel, welded SS outlet.   |

### SUBMITTAL INFORMATION

- All components are made of SS304 type stainless steel.
- Fully Passivated for corrosion resistance.
- TECK finger design – no loose parts for assembly.
- Repair Clamp size laser etched on each repair clamp.
- 0.8" pipe diameter range.
- Grid gasket with taper joint
- Rated for 150 PSI working pressure
- Fluoropolymer coated nuts to prevent galling.
- Recommended bolt torque - 60 ft. lbs.
- Contact factory for additional options.



**A.Y. McDonald Mfg. Co.**  
4800 Chavenelle Rd  
Dubuque, IA 52002

**Toll Free: 1-800-292-2737**  
sales@aymcdonald.com  
[aymcdonald.com](http://aymcdonald.com)

A.Y. McDonald considers the information on this assembly drawing correct when published. Item and option availability, including specifications, are subject to change without notice.

**Submitted by:**

04-16