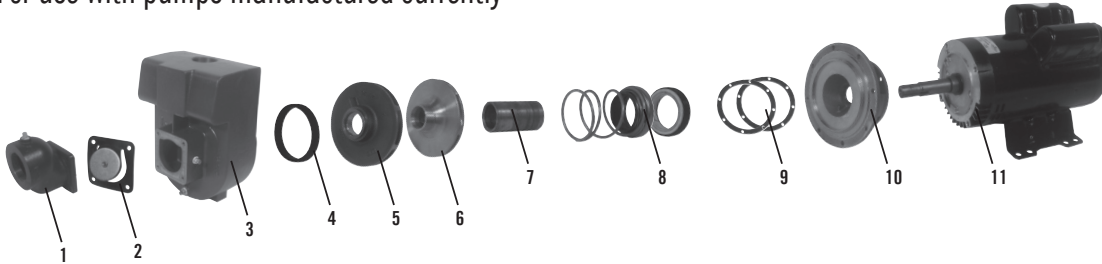


SUBMITTAL DATA SHEET

Pump Repair Parts

84000 Series Repair Parts

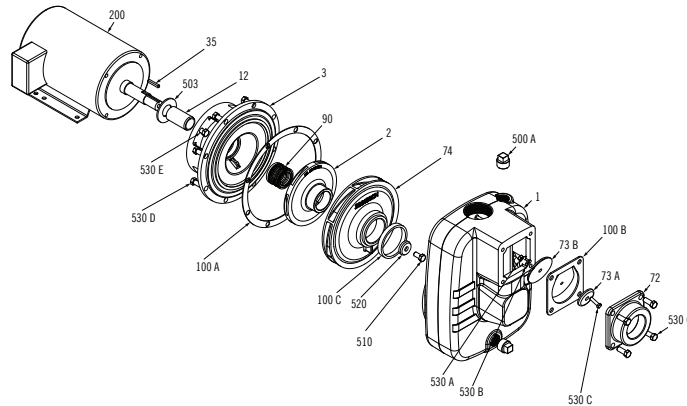
For use with pumps manufactured currently



REF#	A.Y. Part	Model #	Description
#1	6180-528	84300SK	Suction Kit 3HP - 2"
#1	6180-529	84500SK	Suction Kit 5HP - 2 1/2"
#2	6180-526	84000FVA	Flapper Valve Assembly
#3	6180-522	84315HK	Housing Kit 1.5"
#3	6180-523	84525HK	Housing Kit 2.5"
#3	6180-524	84503HK	Housing Kit 3"
#7	6180-525	84001SS	Seal Sleeve
#8	6180-521	84000SA	Seal Assembly

REF#	A.Y. Part	Model #	Description
#4, 7, 9	6180-532	84001GSKT	Gasket Kit 3HP & 5HP
#6, 7, 9	6180-530	84300IMP	Impeller Kit w/Seal & Sleeve - 3HP
#6, 7, 9	6180-531	84500IMP	Impeller Kit w/Seal & Sleeve - 5HP
#7, 10	6180-527	84000MAK	Motor Adapter Kit

For use with pumps manufactured from 1984 - August 2020



REF#	A.Y. Part	Model #	Part Description
#2	6180-311	84300IMP	Impeller 3 HP
#2	6180-312	84500IMP	Impeller 5 HP
#12	6180-320	84000SS	Shaft Sleeve 3 & 5 HP
#72	6180-315	84000CV	Check Valve Kit 3 & 5 HP
#74	6180-322	84000D	Diffuser Kit 3 & 5 HP
#90	6180-319	84000SL	Shaft Seal 3 & 5 HP
#503	6180-313	84000SLG	Slinger Kit 3 & 5 HP

REF#	A.Y. Part	Model #	Part Description
#520	6180-318	84500WSH	Impeller Washer 5 HP
#520	6180-309	84300WSH	Impeller Washer 3 HP
#100A	6180-323	84000GSKT	Gasket Kit 3 & 5 HP
#100B	6180-314	84000VG	Flapper Valve Gasket 3 & 5 HP
#100C	6180-324	84000DR	Diffuser Ring 3 & 5 HP
#73A	6180-316	84000TW	Top Weight 3 & 5 HP
#73B	6180-317	84000BW	Bottom Weight Check Valve 3 & 5 HP

For items not listed, contact factory.

NO-LEAD: The weighted average of the wetted surface of this no-lead product contacted by consumable water contains less than one quarter of one percent (0.25%) lead.



A.Y. McDonald Mfg. Co.
4800 Chavenelle Rd
Dubuque, IA 52002

Toll Free: 1-800-292-2737
sales@aymcdonald.com
aymcdonald.com

A.Y. McDonald considers the information on this assembly drawing correct when published. Item and option availability, including specifications, are subject to change without notice.

Submitted by: