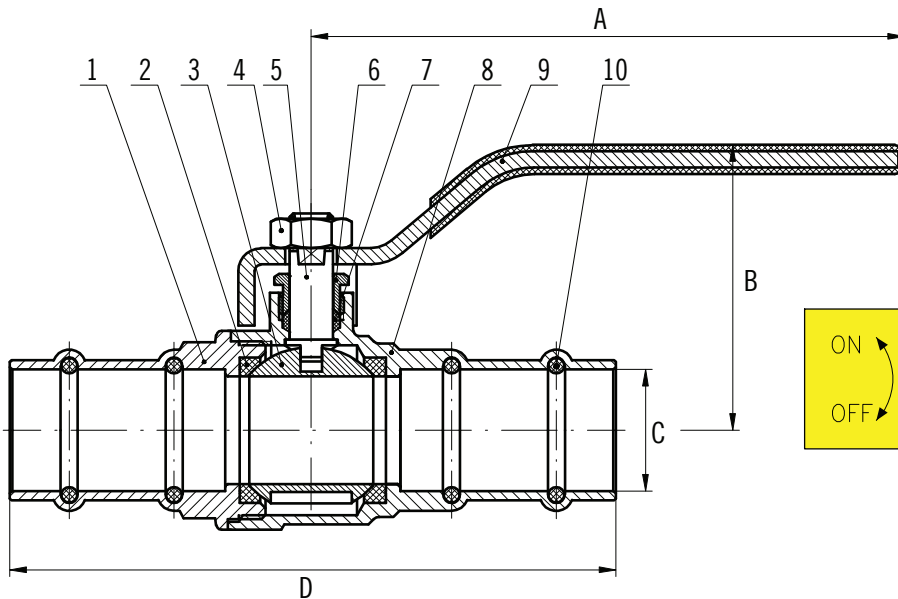


SUBMITTAL DATA SHEET

No-Lead
 Full Port Ball Valve – 72028PF
 (Sizes 1/2" - 2" with yellow handle)
 CTS (Press Fit) x CTS (Press Fit)



A.Y. McDonald Mfg. Co. carries a full line of No-Lead Full Port Ball Valves that are constructed of heavy duty no-lead brass and can be used with a full range of liquids and gases in commercial, industrial and residential applications. Full Port valves allow for maximum flow with minimum pressure drop.



ON
OFF

250 CWP
UPC
NSF 61-8

NO LEAD
WETTED SURFACE
CONTAINS
<.25% LEAD

Materials

No.	Part	Material
1	End Plug	No-Lead Brass (C46500)
2	Ball Disc Packing	PTFE
3	Ball	No-Lead Brass (C46500)
4	Nut	Steel
5	Stem	No-Lead Brass (C46500)
6	Stem Gland Screw	Brass
7	Stem Packing	PTFE
8	Body	No-Lead Brass (C46500)
9	Handle	Steel
10	O-Ring	EPDM

Dimensions

Part No.	Model	Size	A	B	C	D
5426-115	72028PF	1/2"	3.54"	1.67"	0.64"	3.82"
5426-116	72028PF	3/4"	3.94"	1.88"	0.89"	4.41"
5426-117	72028PF	1"	4.33"	2.39"	1.14"	4.69"
5426-118	72028PF	1 1/4"	5.04"	2.66"	1.39"	5.29"
5426-119	72028PF	1 1/2"	5.12"	3.08"	1.64"	5.94"
5426-120	72028PF	2"	6.34"	3.36"	2.14"	6.93"

(See "72028PF Green Handle" submittal for sizes: 2 1/2", 3" and 4")

SUBMITTAL INFORMATION

- Double O-Ring available in sizes: 1/2" - 2"
- Working Temperature: 14°F - 212°F
- 250 PSI Non-Shock Cold Working Pressure
- Blowout proof stem
- Forged brass body
- Dezincification Resistant (DZR)
- Leak Detection Technology



NSF/ANSI 61

NO-LEAD: The weighted average of the wetted surface of this no-lead product contacted by consumable water contains less than one quarter of one percent (0.25%) lead.



A.Y. McDonald Mfg. Co.
 4800 Chavenelle Rd
 Dubuque, IA 52002

Toll Free: 1-800-292-2737
 sales@aymcdonald.com
 aymcdonald.com

A.Y. McDonald considers the information on this assembly drawing correct when published. Item and option availability, including specifications, are subject to change without notice.

Submitted by: