

SUBMITTAL DATA SHEET

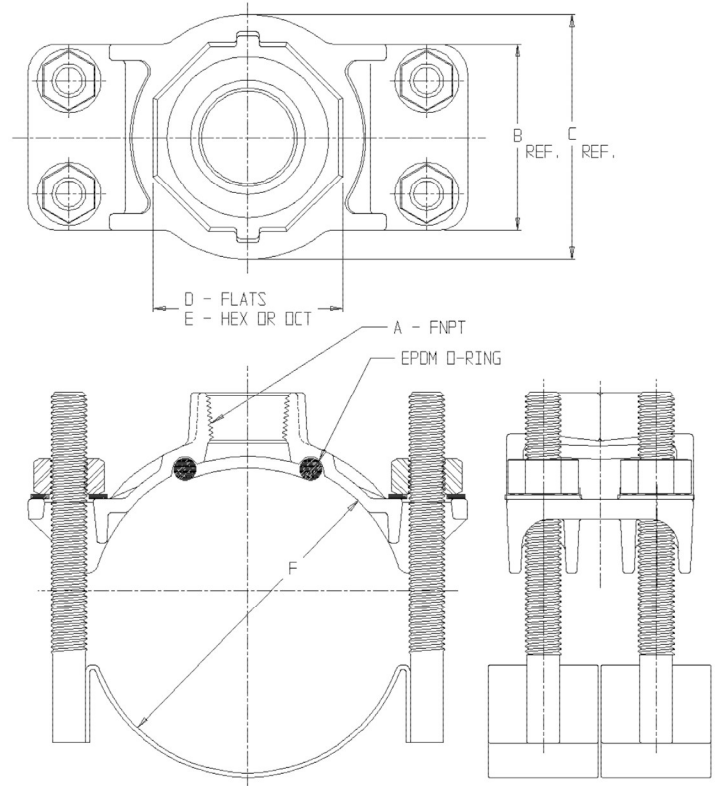
SS Strap Saddle – 3856U

C900 PVC x FNPT



MODEL	SIZE	A	B	C	D	E	F
3856U	4 X 3/4	3/4	3.19	3.19	1.69	HEX	4.74 - 5.40
3856U	4 X 1	1	3.19	3.19	1.69	HEX	4.74 - 5.40
3856U	4 X 1 1/2	1 1/2	3.19	4.19	3.10	OCT	4.74 - 5.40
3856U	4 X 2	2	3.19	4.19	3.10	OCT	4.74 - 5.40
3856U	6 X 3/4	3/4	3.19	3.19	1.69	HEX	6.84 - 7.50
3856U	6 X 1	1	3.19	3.19	1.69	HEX	6.84 - 7.50
3856U	6 X 1 1/2	1 1/2	3.19	4.19	3.10	OCT	6.84 - 7.50
3856U	6 X 2	2	3.19	4.19	3.10	OCT	6.84 - 7.50
3856U	8 X 3/4	3/4	3.19	3.19	1.69	HEX	8.99 - 9.67
3856U	8 X 1	1	3.19	3.19	1.69	HEX	8.99 - 9.67
3856U	8 X 1 1/2	1 1/2	3.19	4.19	3.10	OCT	8.99 - 9.67
3856U	8 X 2	2	3.19	4.19	3.10	OCT	8.99 - 9.67
3856U	10 X 3/4	3/4	3.19	3.19	1.69	HEX	11.04 - 12.12
3856U	10 X 1	1	3.19	3.19	1.69	HEX	11.04 - 12.12
3856U	10 X 1 1/2	1 1/2	3.19	4.19	3.10	OCT	11.04 - 12.12
3856U	10 X 2	2	3.19	4.19	3.10	OCT	11.04 - 12.12
3856U	12 X 3/4	3/4	3.19	3.19	1.69	HEX	13.14 - 14.58
3856U	12 X 1	1	3.19	3.19	1.69	HEX	13.14 - 14.58
3856U	12 X 1 1/2	1 1/2	3.19	4.19	3.10	OCT	13.14 - 14.58
3856U	12 X 2	2	3.19	4.19	3.10	OCT	13.14 - 14.58

** ALL STAINLESS STEEL STRAPS ARE 1.88" WIDE.
TWO STRAPS (WITH 2 STUDS WELDED ON) PER ASSEMBLY.



SUBMITTAL INFORMATION

- Manufactured in compliance with ANSI/AWWA C800 (latest revision)
- Brass components conform to ASTM B62 and ASTM B584, UNS C83600 -85-5-5-5 (latest revision)
- Certified to NSF/ANSI 61
- 304L Stainless Steel strap(s) and studs. Stainless steel nuts (PTFE coated) and washers
- EPDM o-ring
- Pipe and tap size, and thread type identified on saddle
- Outlet boss with large wrench flats



A.Y. McDonald Mfg. CO.
4800 Chavenelle Rd
Dubuque, IA 52002

Toll Free: 1-800-292-2737
sales@aymcdonald.com
aymcdonald.com

A.Y. McDonald considers the information on this assembly drawing correct when published. Item and option availability, including specifications, are subject to change without notice.

Submitted by: