

SUBMITTAL DATA SHEET

Sump, Sewage, & Effluent Pumps
DuraMAC™ | Guardian

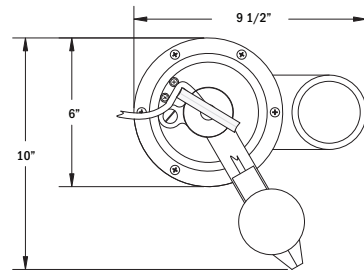
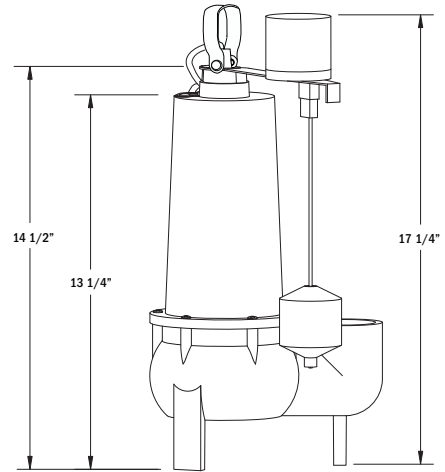
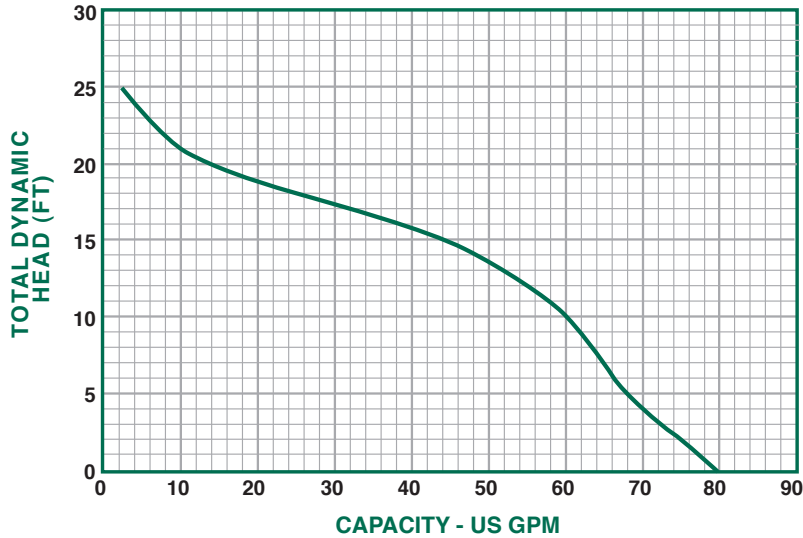
5050CUSJ & 5050CVSJ Sewage Pump



See Pumps & Accessories
Price List for Limited
Warranty details.

With a rugged cast iron construction, the 5050CUSJ and 5050CVSJ can handle up to 80 gallons per minute (GPM).

Performance Curve



Performance

Model	Gallons per Minute in Feet					
	0	5	10	15	20	25
5050CUSJ	80	68	60	44	13	2
5050CVSJ						

Specifications

Part No.	Model No.	HP	Volts	Hz	Amps	Construction	Discharge Size	Cord Length	Solids Handling	RPM	Phase	Wt.
6192-119	5050CUSJ (NO SWITCH)	1/2	120	60	7.6	Cast Iron	2"	10'	2"	3450	1	25
6192-116	5050CVSJ	1/2	120	60	7.6	Cast Iron	2"	10'	2"	3450	1	26

SUBMITTAL INFORMATION

- Split Capacitor Motor - 1/2 HP continuous duty, thermal protected
- Lifts water up to 25' of vertical height
- 10' Power Cord
- Large 2" discharge for high capacity pumping
- Easily handles 2" solids
- Non-clogging cast stainless steel vortex impeller
- Also available without a switch
- Vertical float switch



NO-LEAD: The weighted average of the wetted surface of this no-lead product contacted by consumable water contains less than one quarter of one percent (0.25%) lead.



A.Y. McDonald Mfg. Co.
4800 Chavenelle Rd
Dubuque, IA 52002

Toll Free: 1-800-292-2737
sales@aymcdonald.com
aymcdonald.com

A.Y. McDonald considers the information on this assembly drawing correct when published. Item and option availability, including specifications, are subject to change without notice.

Submitted by: