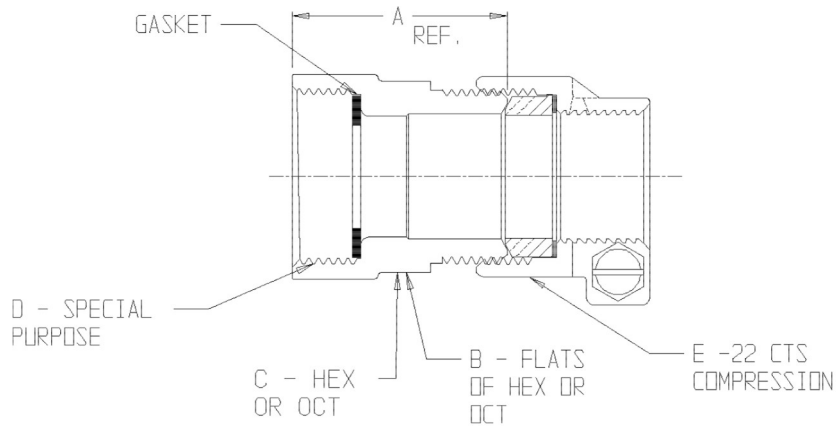
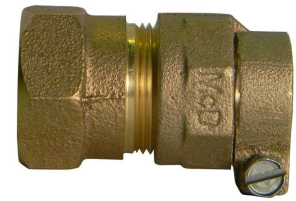


SUBMITTAL DATA SHEET

NL Service Fitting – 74742-22

Special Purpose x -22 CTS Compression



MODEL	SIZE	A	B	C	D	E
74742-22	1/2 X 3/4	1.51	1.38	HEX	1/2	3/4
74742-22	5/8 X 3/4	1.56	1.48	HEX	5/8	3/4
74742-22	5/8 X 1	1.32	1.63	OCT	5/8	1
74742-22	3/4	1.54	1.31	HEX	3/4	3/4
74742-22	3/4 X 1	1.68	1.50	OCT	3/4	1
74742-22	1	1.54	1.75	HEX	1	1
74742-22	1 X 3/4	1.81	2.13	HEX	1	3/4

SUBMITTAL INFORMATION

- Manufactured in compliance with ANSI/AWWA C800 (latest revision)
- Brass components in contact with potable water conform to ASTM B584, UNS C89833 (latest revision) and identified with "NL"
- Certified to NSF/ANSI 61 and NSF/ANSI 372
- Brass components not in contact with potable water conform to ASTM B62 and ASTM B584, UNS C83600 -85-5-5-5 (latest revision)
- Large wrench flats provided for proper installation
- Insert stiffeners required on all flexible plastic connections



A.Y. McDonald Mfg. Co.
4800 Chavenelle Rd
Dubuque, IA 52002

Toll Free: 1-800-292-2737
sales@aymcdonald.com
aymcdonald.com

A.Y. McDonald considers the information on this assembly drawing correct when published. Item and option availability, including specifications, are subject to change without notice.

Submitted by: