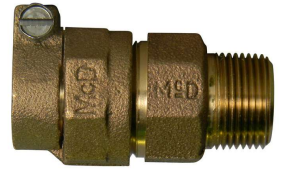


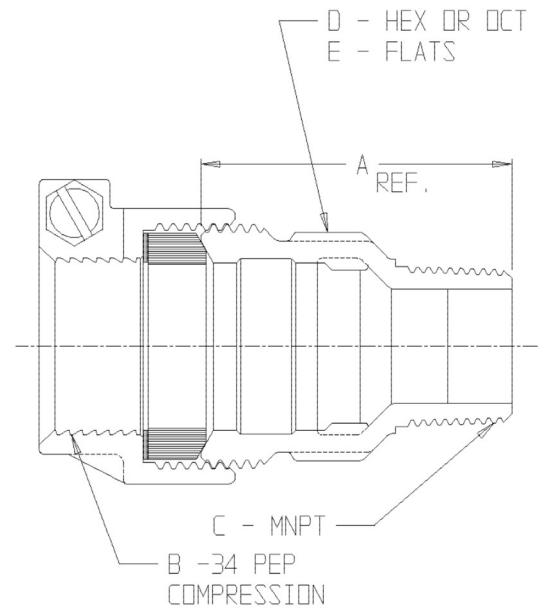
# SUBMITTAL DATA SHEET

NL Service Fitting – 74753-34

-34 PEP (SIDR 9) Compression x MNPT



MODEL	SIZE	A	B	C	D	E
74753-34	3/4	2.03	3/4	3/4	OCT	1.38
74753-34	3/4 X 1	2.44	3/4	1	OCT	1.38
74753-34	3/4 X 2	3.08	3/4	2	OCT	2.44
74753-34	1	2.76	1	1	OCT	1.85
74753-34	1 X 3/4	2.50	1	3/4	OCT	1.85
74753-34	1 X 1 1/2	2.69	1	1 1/2	HEX	1.69
74753-34	1 1/4	2.60	1 1/4	1 1/4	OCT	2.06
74753-34	1 1/4 X 1	2.60	1 1/4	1	OCT	2.10
74753-34	1 1/4 X 1 1/2	2.67	1 1/4	1 1/2	OCT	2.25
74753-34	1 1/2	2.70	1 1/2	1 1/2	OCT	2.44
74753-34	1 1/2 X 1	2.45	1 1/2	1	OCT	2.44
74753-34	1 1/2 X 1 1/4	2.45	1 1/2	1 1/4	OCT	2.44
74753-34	2	2.96	2	2	OCT	3.09
74753-34	2 X 1	2.96	2	1	OCT	3.05



## SUBMITTAL INFORMATION

- Manufactured in compliance with ANSI/AWWA C800 (latest revision)
- Brass components in contact with potable water conform to ASTM B584, UNS C89833 (latest revision) and identified with "NL"
- Certified to NSF/ANSI 61 and NSF/ANSI 372
- Brass components not in contact with potable water conform to ASTM B62 and ASTM B584, UNS C83600 -85-5-5-5 (latest revision)
- Large wrench flats provided for proper installation
- Insert stiffeners required on all flexible plastic connections



**A.Y. McDonald Mfg. Co.**  
4800 Chavenelle Rd  
Dubuque, IA 52002

**Toll Free: 1-800-292-2737**  
sales@aymcdonald.com  
[aymcdonald.com](http://aymcdonald.com)

A.Y. McDonald considers the information on this assembly drawing correct when published. Item and option availability, including specifications, are subject to change without notice.

**Submitted by:**