

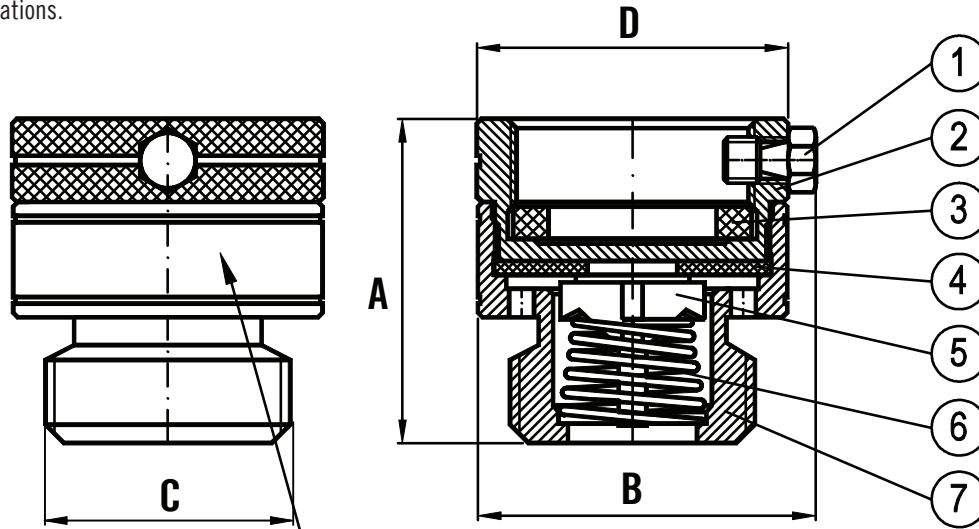
SUBMITTAL DATA SHEET

No-Lead Low Pressure Valves
Vacuum Breaker – 72001

FGHT x MGHT



A.Y. McDonald Mfg. Co. No-Lead self-draining hose bibb vacuum breaker is constructed from heavy duty no-lead brass and is recommended for residential and commercial applications.



MARKING ON PRODUCT.

LT. ASSE 1011 B64.2 125 PSI 180° F INDONESIA LVB1 3/4" NL ↓↓

Dimensions

Part No.	Model No.	Size	A	B	C	D
5421-146	72001	3/4"	1.38	1.44	1.04	1.33

Materials

No.	Part	Material
1	Bolt	No-Lead Brass
2	Bonnet	No-Lead Brass
3	Packing	Rubber
4	Seat Packing	Rubber
5	Spring House	POM Formocon FM090 (plastic)
6	Spring	Stainless-Steel
7	Body	No-Lead Brass



SUBMITTAL INFORMATION

- Brass Gland Packing
- 3/4" FGHT Inlet x 3/4" MGHT Outlet
- 125 PSI CWP
- Flat washer seat
- 180°F Maximum service temperature
- Conforms to ASSE 1011 through CSA

NO-LEAD: The weighted average of the wetted surface of this no-lead product contacted by consumable water contains less than one quarter of one percent (0.25%) lead.



A.Y. McDonald Mfg. Co.
4800 Chavenelle Rd
Dubuque, IA 52002

Toll Free: 1-800-292-2737
sales@aymcdonald.com
aymcdonald.com

A.Y. McDonald considers the information on this assembly drawing correct when published. Item and option availability, including specifications, are subject to change without notice.

Submitted by: