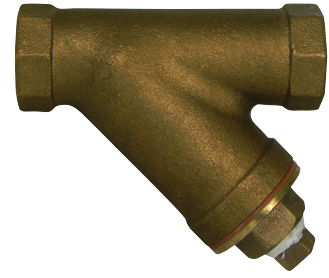


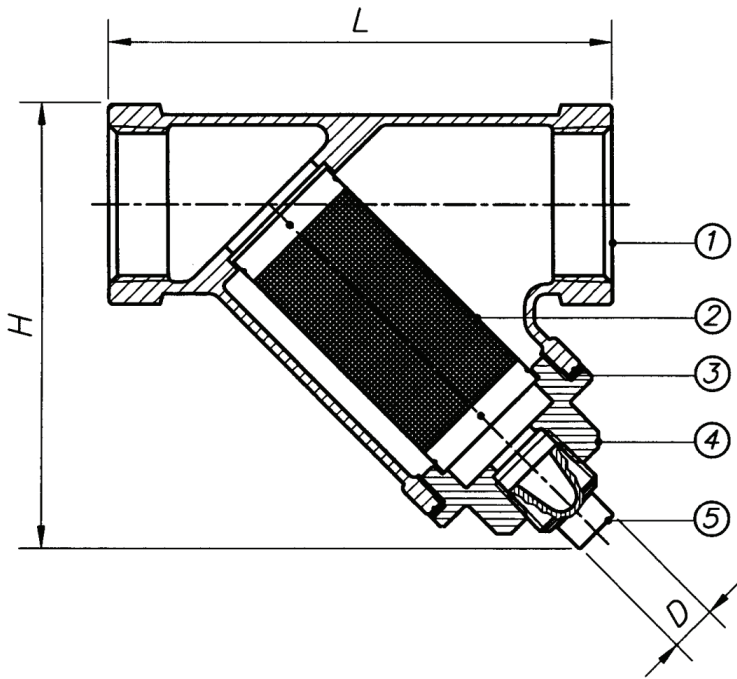
# SUBMITTAL DATA SHEET

No-Lead Low Pressure Valves  
Bronze Y-Strainer – 72052T

FNPT X FNPT



A.Y. McDonald Mfg. Co. No-Lead Low Pressure Valves are constructed from heavy duty no-lead bronze and are recommended for residential and commercial applications and positive shut-off with various inlet configurations.



## Dimensions

Part No.	Model No.	Size	D	H	L
5421-260	72052T	1/2"	0.45	3.01	3.22
5421-261	72052T	3/4"	0.45	3.48	3.93
5421-262	72052T	1"	0.52	4.03	4.52
5421-263	72052T	1 1/4"	0.52	4.70	5.33
5421-264	72052T	1 1/2"	0.52	5.01	6.20
5421-265	72052T	2"	0.52	6.14	7.44

## Materials

No.	Part	Material
1	Body	No-Lead Bronze (C89844 MOD)
2	Filter	Stainless-Steel (304)
3	Packing	Fibre "H"
4	Bonnet	No-Lead Bronze (C89844 MOD)
5	Plug	No-Lead Bronze (C89844 MOD)

## SUBMITTAL INFORMATION

- 150 WSP
- 300 WOG
- Available Sizes: 1/2", 3/4", 1", 1 1/4", 1 1/2", and 2"
- Threads conform to ANSI B1.20.1
- 20 Mesh SS screen
- Closure plug included
- Directional
- Complies with AB 1953

NO-LEAD: The weighted average of the wetted surface of this no-lead product contacted by consumable water contains less than one quarter of one percent (0.25%) lead.



A.Y. McDonald Mfg. Co.  
4800 Chavenelle Rd  
Dubuque, IA 52002

Toll Free: 1-800-292-2737  
sales@aymcdonald.com  
aymcdonald.com

A.Y. McDonald considers the information on this assembly drawing correct when published. Item and option availability, including specifications, are subject to change without notice.

Submitted by: