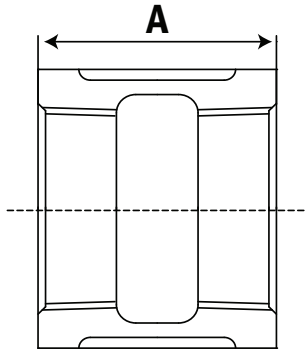


SUBMITTAL DATA SHEET

No-Lead
Coupling – 72210

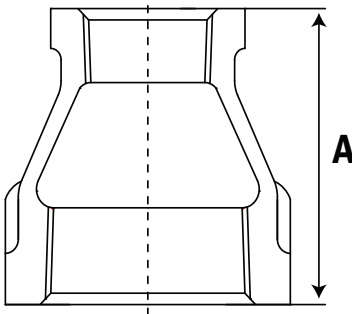


A.Y. McDonald Mfg. Co. threaded fittings are rated for commercial, industrial and residential applications up to 125 WOG.



Coupling – 72210

| Part No. | Model Number | Size | A |
|----------|--------------|-------|------|
| 5422-452 | 72210 | 1/8 | 0.79 |
| 5422-139 | 72210 | 1/4 | 0.98 |
| 5422-140 | 72210 | 3/8 | 1.06 |
| 5422-141 | 72210 | 1/2 | 1.30 |
| 5422-142 | 72210 | 3/4 | 1.42 |
| 5422-143 | 72210 | 1 | 1.69 |
| 5422-144 | 72210 | 1 1/4 | 1.85 |
| 5422-145 | 72210 | 1 1/2 | 1.93 |
| 5422-146 | 72210 | 2 | 2.20 |
| 5422-147 | 72210 | 2 1/2 | 2.87 |
| 5422-148 | 72210 | 3 | 3.19 |
| 5422-149 | 72210 | 4 | 3.70 |



Reducing Coupling – 72210

| Part No. | Model Number | Size | A |
|----------|--------------|-------------|------|
| 5422-453 | 72210 | 1/4 x 1/8 | 0.87 |
| 5424-203 | 72210 | 3/8 x 1/8 | 0.91 |
| 5422-150 | 72210 | 3/8 x 1/4 | 1.02 |
| 5422-151 | 72210 | 1/2 x 1/4 | 1.14 |
| 5422-152 | 72210 | 1/2 x 3/8 | 1.18 |
| 5422-153 | 72210 | 3/4 x 1/4 | 1.22 |
| 5422-154 | 72210 | 3/4 x 3/8 | 1.22 |
| 5422-155 | 72210 | 3/4 x 1/2 | 1.38 |
| 5422-158 | 72210 | 1 x 1/2 | 1.50 |
| 5422-159 | 72210 | 1 x 3/4 | 1.57 |
| 5422-161 | 72210 | 1 1/4 x 3/4 | 1.65 |
| 5422-162 | 72210 | 1 1/4 x 1 | 1.77 |

| Part No. | Model Number | Size | A |
|----------|--------------|---------------|------|
| 5422-163 | 72210 | 1 1/2 x 1/2 | 1.77 |
| 5422-164 | 72210 | 1 1/2 x 3/4 | 1.77 |
| 5422-165 | 72210 | 1 1/2 x 1 | 1.77 |
| 5422-166 | 72210 | 1 1/2 x 1 1/4 | 1.89 |
| 5422-168 | 72210 | 2 x 3/4 | 2.05 |
| 5422-169 | 72210 | 2 x 1 | 2.05 |
| 5422-170 | 72210 | 2 x 1 1/4 | 2.05 |
| 5422-171 | 72210 | 2 x 1 1/2 | 2.05 |
| 5422-176 | 72210 | 2 1/2 x 1 1/2 | 3.27 |
| 5422-177 | 72210 | 2 1/2 x 2 | 3.27 |
| 5422-181 | 72210 | 3 x 2 | 3.70 |
| 5422-182 | 72210 | 3 x 2 1/2 | 3.70 |

SUBMITTAL INFORMATION

- **Standards**
AWWA C800, ASTM B584 UNS Alloy C89833
(Casting), ASME B16.15 (Dimensions),
ASME B1.20.1 (Threads)
- **Markings** - Manufacturer's logo, Size, Country of Origin, "NL"
- **Materials** - No-Lead Brass
- NSF/ANSI 61-4 & NSF/ANSI 372

NO-LEAD: The weighted average of the wetted surface of this no-lead product contacted by consumable water contains less than one quarter of one percent (0.25%) lead.



A.Y. McDonald Mfg. Co.
4800 Chavenelle Rd
Dubuque, IA 52002

Toll Free: 1-800-292-2737
sales@aymcdonald.com
aymcdonald.com

A.Y. McDonald considers the information on this assembly drawing correct when published. Item and option availability, including specifications, are subject to change without notice.

Submitted by: