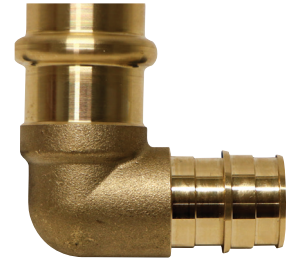
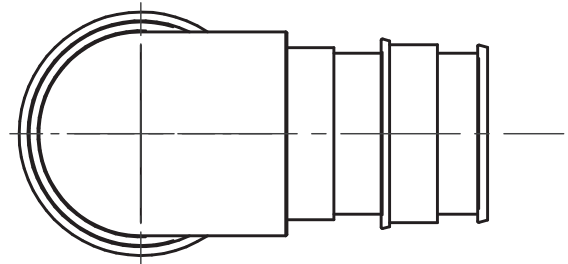
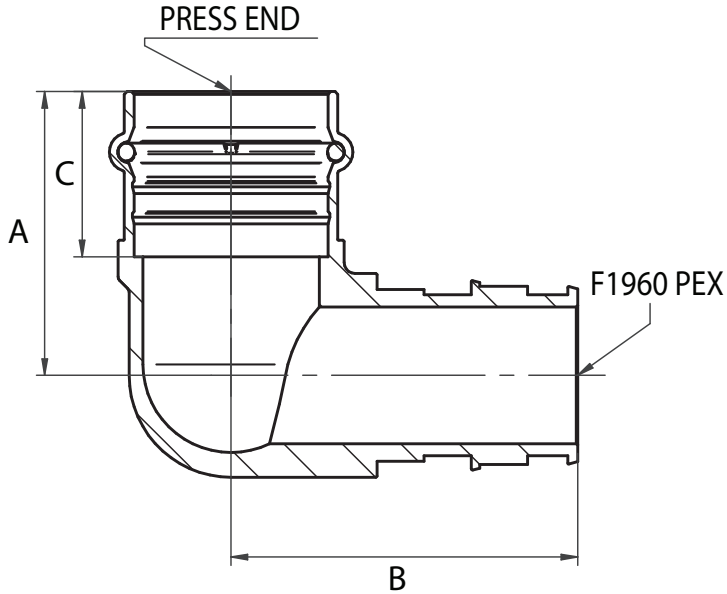


SUBMITTAL DATA SHEET

No-Lead Press Fit 90° Elbow - 71990EXP CTS Press x Expansion Pex



A.Y. McDonald Mfg. Co. copper press fittings are for use in plumbing or mechanical applications. Sizes range from 1/2" - 1" and the fittings are designed to join ASTM B88 (Types K, L, M) hard-drawn copper tube and soft copper tube on the press end and PEX Tubing in accordance with ASTM F876 & F877 on the PEX end.



Materials

No.	Part	Material
1	Body	No-Lead Brass
2	O-Ring	EPDM

Dimensions

Size	A	B	C
1/2"	1.52	1.30	1.10
3/4"	1.69	1.67	1.18
3/4" x 1/2"	1.61	1.44	1.18
1"	1.83	2.05	1.18
1" x 3/4"	1.73	1.81	1.18

SUBMITTAL INFORMATION

Press End:

- Working Pressure = 250 psi
- Max Temperature Rating = 230°F

- Heavy Duty, C46500 Alloy
- Complies with ASTM F1807

Pex End systems are pressure rated at three temperatures:

- 1105 kPa at 73°F
- 690 kPa at 179°F
- 550 kPa at 199°F



A.Y. McDonald Mfg. Co.
4800 Chavenelle Rd
Dubuque, IA 52002

Toll Free: 1-800-292-2737
sales@aymcdonald.com
aymcdonald.com

A.Y. McDonald considers the information on this assembly drawing correct when published. Item and option availability, including specifications, are subject to change without notice.

Submitted by: