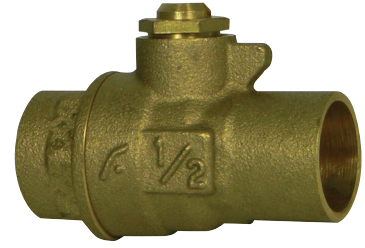


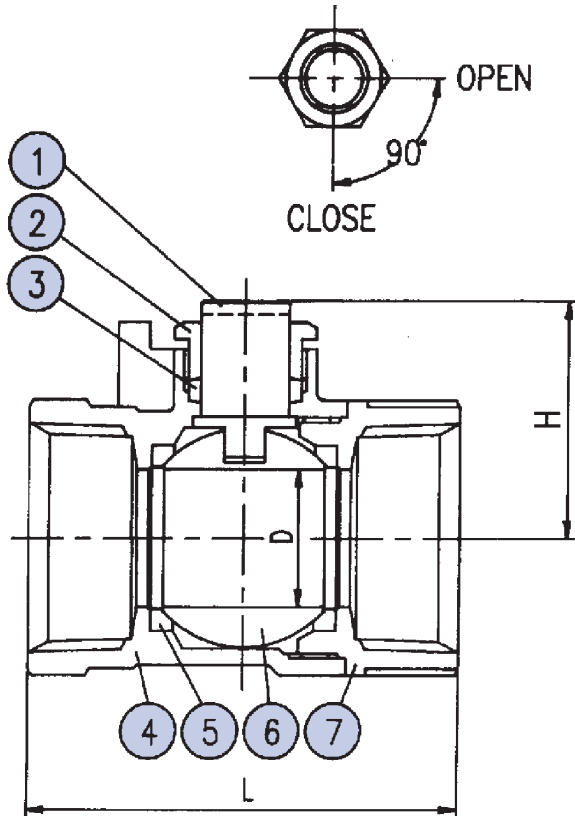
SUBMITTAL DATA SHEET

Radiator Valves Hydronic Balancing Ball Valve – 4439S

SWT x SWT



A.Y. McDonald Mfg. Co. Radiator Valves are constructed of heavy duty cast brass and feature a non-rising stem design. They provide positive shut off in steam and hot water applications.



Dimensions

Part No.	Model No.	Size	L	H	D
4420-068	4439S	1/2"	1.87	.94	.39
4420-069	4439S	3/4"	2.18	1.05	.59
4420-070	4439S	1"	2.46	1.37	.78

Materials

No.	Part	Material
1	Stem	Brass
2	Stem Gland Screw	Brass
3	Stem Packing	Teflon
4	Body	Brass
5	Ball Disc Packing	Teflon
6	Ball Disc	Brass
7	End Plug	Brass

SUBMITTAL INFORMATION

- 40 WOG
- Available Sizes: 1/2", 3/4" and 1"
- Screwdriver slot head



Non-Potable Use
Only



A.Y. McDonald Mfg. Co.
4800 Chavenelle Rd
Dubuque, IA 52002

Toll Free: 1-800-292-2737
sales@aymcdonald.com
aymcdonald.com

A.Y. McDonald considers the information on this assembly drawing correct when published. Item and option availability, including specifications, are subject to change without notice.

Submitted by: