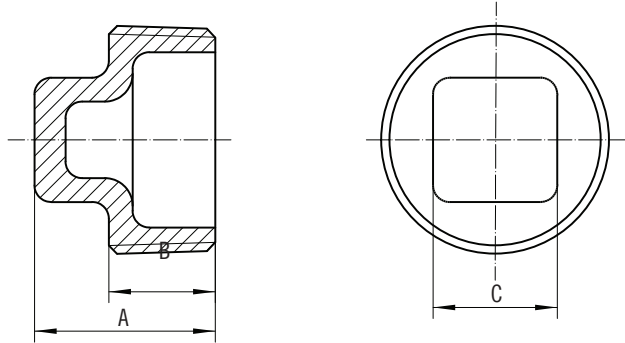


SUBMITTAL DATA SHEET

Stainless-Steel Threaded Fitting Plug – 2202SS



A.Y. McDonald Mfg. Co. Pipe Fittings are constructed from 304 stainless-steel and are rated for commercial, industrial and residential applications up to 150 PSI. Threads conform to MSS-SP114 standards and specifications.



Part No.	Model No.	Size	Dimensions A	Dimensions B	Dimensions C	Carton Qty	Weight Per Pcs.
4428-084	2202SS	1/8"	.61	.37	.28	400	.02
4428-085	2202SS	1/4"	.72	.44	.38	300	.04
4428-086	2202SS	3/8"	.79	.48	.44	150	.07
4428-087	2202SS	1/2"	.94	.56	.56	100	.12
4428-088	2202SS	3/4"	1.07	.63	.63	50	.18
4428-089	2202SS	1"	1.25	.75	.81	20	.31
4428-090	2202SS	1 1/4"	1.36	.80	.94	10	.50
4428-091	2202SS	1 1/2"	1.45	.83	1.13	10	.68
4428-092	2202SS	2"	1.56	.88	1.31	8	.90
4428-093	2202SS	2 1/2"	1.81	1.07	1.50	5	1.88

SUBMITTAL INFORMATION

- **Material**
304 Stainless-Steel
- **Rated**
150 PSI max pressure
- **Fitting Dimensions**
MSS SP-114

NO-LEAD: The weighted average of the wetted surface of this no-lead product contacted by consumable water contains less than one quarter of one percent (0.25%) lead.



A.Y. McDonald Mfg. Co.
4800 Chavenelle Rd
Dubuque, IA 52002

Toll Free: 1-800-292-2737
sales@aymcdonald.com
aymcdonald.com

A.Y. McDonald considers the information on this assembly drawing correct when published. Item and option availability, including specifications, are subject to change without notice.

Submitted by: