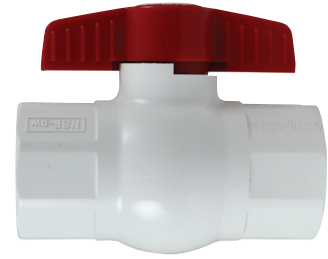


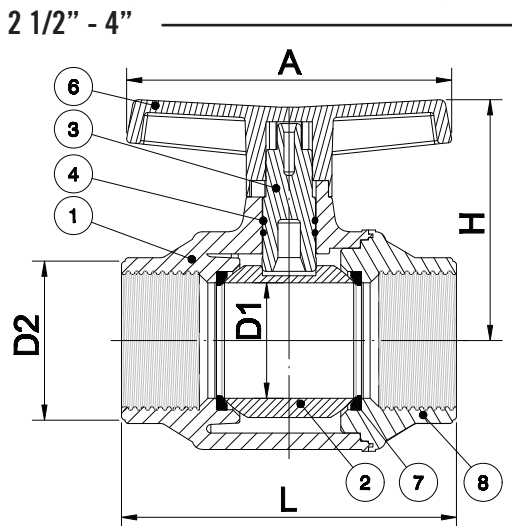
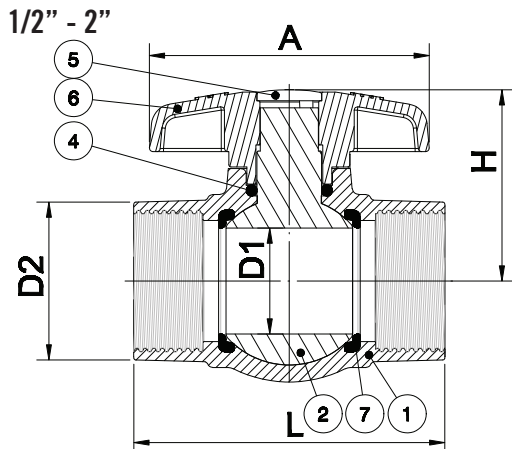
SUBMITTAL DATA SHEET

PVC Ball Valves – 2060T

FNPT x FNPT



A.Y. McDonald Mfg. Co. PVC Ball Valves feature convenience of operation with excellent flow characteristics. Use these sturdy valves for water supply in residential, commercial, and industrial applications.



Dimensions

Part No.	Model No.	Size	D1	L	D2	H	A	Threads
4421-019	2060T	1/2"	0.580	2.960	1.158	1.850	2.734	14 NPT
4421-020	2060T	3/4"	0.780	3.248	1.429	2.152	3.00	14 NPT
4421-021	2060T	1"	0.970	3.816	1.693	2.224	3.536	11.5 NPT
4421-022	2060T	1 1/4"	1.250	4.325	2.039	2.461	3.527	11.5 NPT
4421-023	2060T	1 1/2"	1.510	4.831	2.408	2.865	4.398	11.5 NPT
4421-024	2060T	2"	1.950	5.528	2.873	3.437	5.521	11.5 NPT
4424-259	2060T	3"	3.050	9.173	4.331	6.063	9.005	8 NPT
4424-260	2060T	4"	3.910	10.826	5.350	6.700	10.790	8 NPT

Materials

No.	Part	Material
1	Body	UPVC
2	Ball	UPVC
3	Stem (only for 3" and 4")	UPVC
4	Stem O-Ring	EPDM
5	Cap (only for 1/2" - 2")	ABS
6	Handle	ABS
7	Seat / Seal	EPDM
8	End Connector (only for 3" and 4")	UPVC

SUBMITTAL INFORMATION

- Schedule 80
- Available Sizes: 1/2", 3/4", 1", 1 1/4", 1 1/2", 2", 3" and 4"
- Fits Schedule 40 and 80 PVC Pipe

Temperature Ratings:

- 150 PSI at 73°F
- 50 PSI at 140°F

NO-LEAD: The weighted average of the wetted surface of this no-lead product contacted by consumable water contains less than one quarter of one percent (0.25%) lead.



A.Y. McDonald Mfg. Co.
4800 Chavenelle Rd
Dubuque, IA 52002

Toll Free: 1-800-292-2737
sales@aymcdonald.com
aymcdonald.com

A.Y. McDonald considers the information on this assembly drawing correct when published. Item and option availability, including specifications, are subject to change without notice.

Submitted by: