

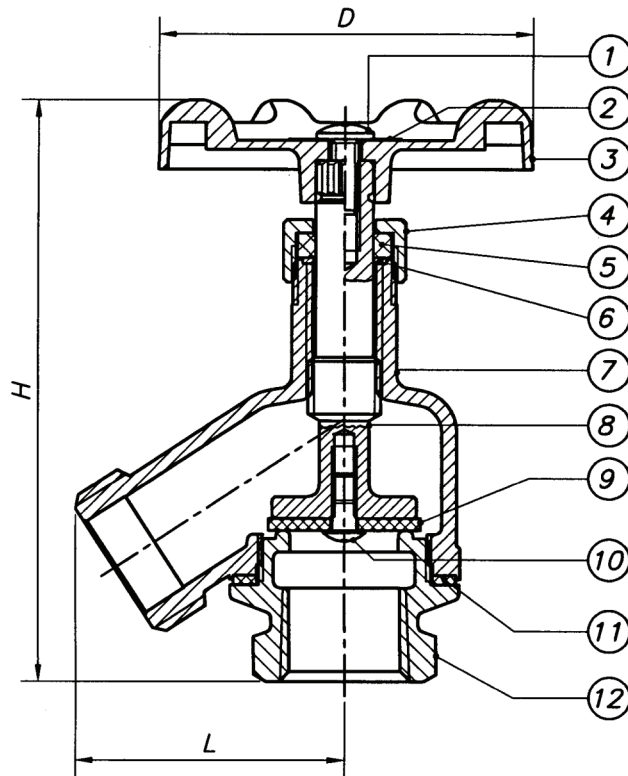
SUBMITTAL DATA SHEET

No-Lead Low Pressure Valves Garden Hose Bibb – 72003

FNPT X MGHT



A.Y. McDonald Mfg. Co. No-Lead Low Pressure Valves are constructed from heavy duty no-lead brass and are recommended for residential and commercial applications and positive shut-off with various inlet configurations.



Dimensions

Part No.	Model No.	Size	D	H	L
5420-210	72003	1/2"	2.44	3.78	1.75
5420-211	72003	3/4"	2.44	3.78	1.75
5420-281	72003	1"	2.44	4.02	1.75

Materials

No.	Part	Material
1	Handle Bolt	Steel
2	Name Plate	Aluminium
3	Ellipse Handle	Zinc
4	Packing Nut	No-Lead Brass
5	Gland Packing	Graphite
6	Washer	Stainless-Steel
7	Body	No-Lead Brass
8	Stem	No-Lead Brass
9	Seat Packing	Rubber
10	Seat Screw	No-Lead Brass
11	Packing	Fibre "H"
12	Bonnet	No-Lead Brass

SUBMITTAL INFORMATION

- 125 WOG
- Available Sizes: 1/2", 3/4" and 1"
- Complies with NSF/ANSI 372-2010

NO-LEAD: The weighted average of the wetted surface of this no-lead product contacted by consumable water contains less than one quarter of one percent (0.25%) lead.



A.Y. McDonald Mfg. Co.
4800 Chavenelle Rd
Dubuque, IA 52002

Toll Free: 1-800-292-2737
sales@aymcdonald.com
aymcdonald.com

A.Y. McDonald considers the information on this assembly drawing correct when published. Item and option availability, including specifications, are subject to change without notice.

Submitted by: