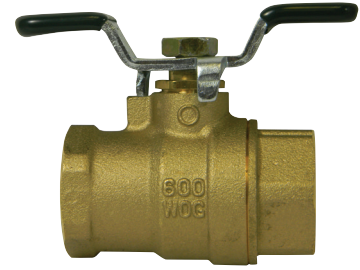


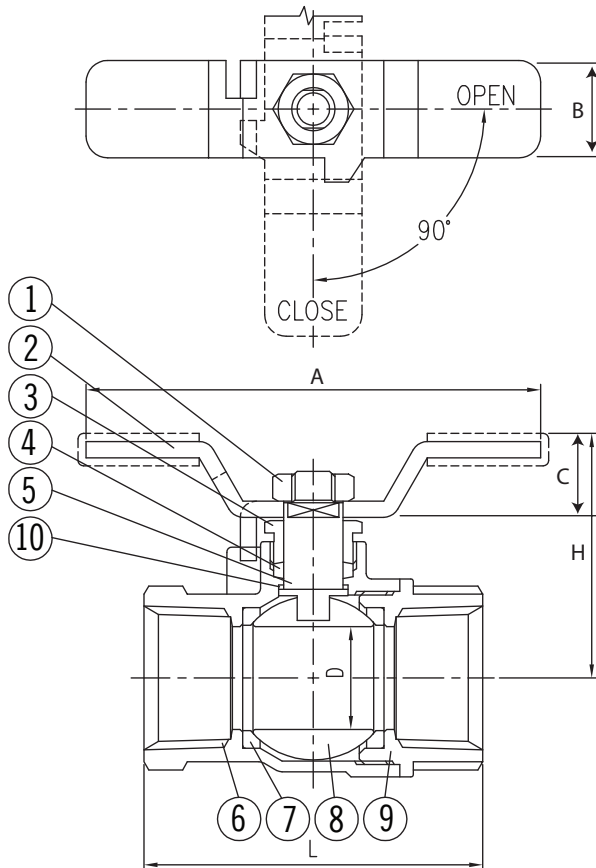
SUBMITTAL DATA SHEET

No-Lead Ball Valves Full Port Ball Valve with T-Handle – 72032TX

FNPT x FNPT



A.Y. McDonald Mfg. Co. No-Lead Ball Valves are constructed of heavy duty brass and can be used with a full range of liquids and gases in commercial, industrial, and residential applications. Full Port valves allow for maximum flow with minimum pressure drop.



Materials

No.	Part	Material
1	Nut	Steel
2	Handle	Steel
3	Stem Gland Screw	No-Lead Brass
4	Stem Packing	Teflon
5	Stem	No-Lead Brass
6	Body	No-Lead Brass
7	Ball Disc Packing	Teflon
8	Ball Disc	No-Lead Brass
9	End Plug	No-Lead Brass
10	Thrust Washer	Teflon PTFE

Dimensions

Size	A	B	C	D	H	L
1/2"	2.60	0.55	0.47	0.50	1.42	2.13
3/4"	3.31	0.71	0.55	0.75	1.77	2.48
1"	3.31	0.71	0.55	0.98	1.97	2.99

SUBMITTAL INFORMATION

- 150 WSP
- 600 WOG
- Available Sizes: 1/2" - 1"
- Threads conform to ANSI B1.20.1
- Manufactured to MSS-SP-110
- Blowout proof stem
- NSF/ANSI 61
- NSF/ANSI 372

NO-LEAD: The weighted average of the wetted surface of this no-lead product contacted by consumable water contains less than one quarter of one percent (0.25%) lead.



A.Y. McDonald Mfg. Co.
4800 Chavenelle Rd
Dubuque, IA 52002

Toll Free: 1-800-292-2737
sales@aymcdonald.com
aymcdonald.com

A.Y. McDonald considers the information on this assembly drawing correct when published. Item and option availability, including specifications, are subject to change without notice.

Submitted by: