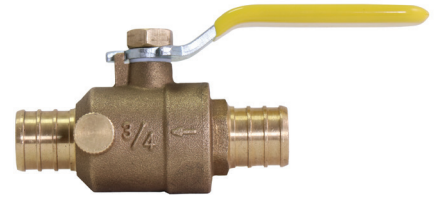


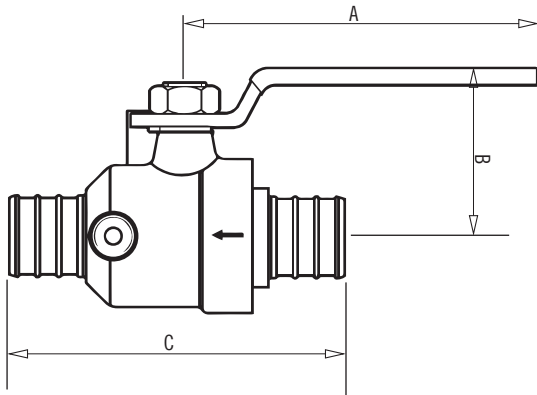
SUBMITTAL DATA SHEET

No-Lead Ball Valves Full Port Ball Valve with Drain - 72033EP

Pex x Pex

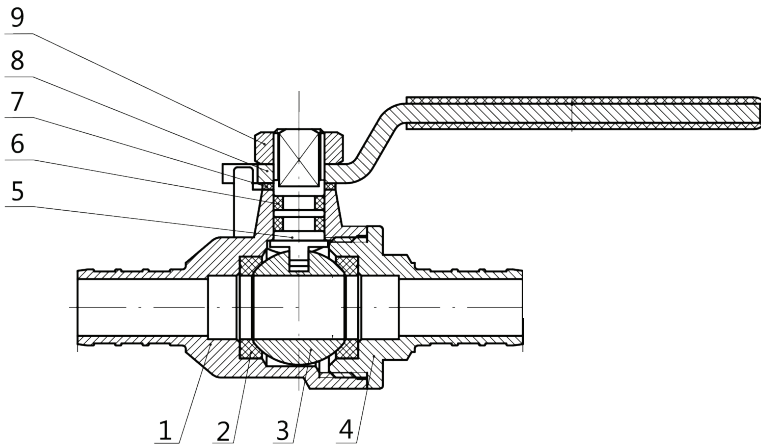


A.Y. McDonald Mfg. Co. No-Lead Pex Ball Valves are constructed from heavy duty no-lead brass and are designed for use with potable water in commercial, industrial, and residential applications.



Dimensions

Part No.	Model No.	Size	A	B	C	Weight
5423-443	72033EP	1/2"	2.91	1.24	2.68	0.28
5423-444	72033EP	3/4"	2.91	1.36	2.91	0.42
5423-445	72033EP	1"	3.54	1.67	3.60	0.74



Materials

No.	Part	Material
1	Body	No-Lead Brass
2	Seat Ring	PTFE
3	Ball	No-Lead Brass
4	Bonnet	No-Lead Brass
5	Stem	No-Lead Brass
6	O-ring	NBR
7	Gasket	PTFE
8	Handle	Zinc Plated w/Vinyl Cover
9	Nut	Brass

SUBMITTAL INFORMATION

- Available Sizes: 1/2", 3/4" and 1"
- Blow out proof stem
- NSF/ANSI 372
- Double O-ring packing
- 400 WOG
- NSF/ANSI 61
- Pex ends conform to ASTM F1807



NO-LEAD: The weighted average of the wetted surface of this no-lead product contacted by consumable water contains less than one quarter of one percent (0.25%) lead.



A.Y. McDonald Mfg. Co.
4800 Chavenelle Rd
Dubuque, IA 52002

Toll Free: 1-800-292-2737
sales@aymcdonald.com
aymcdonald.com

A.Y. McDonald considers the information on this assembly drawing correct when published. Item and option availability, including specifications, are subject to change without notice.

Submitted by: