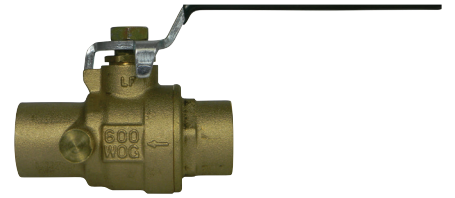


SUBMITTAL DATA SHEET

No-Lead
Full Port Ball Valve with Drain - 72033S

SWT x SWT



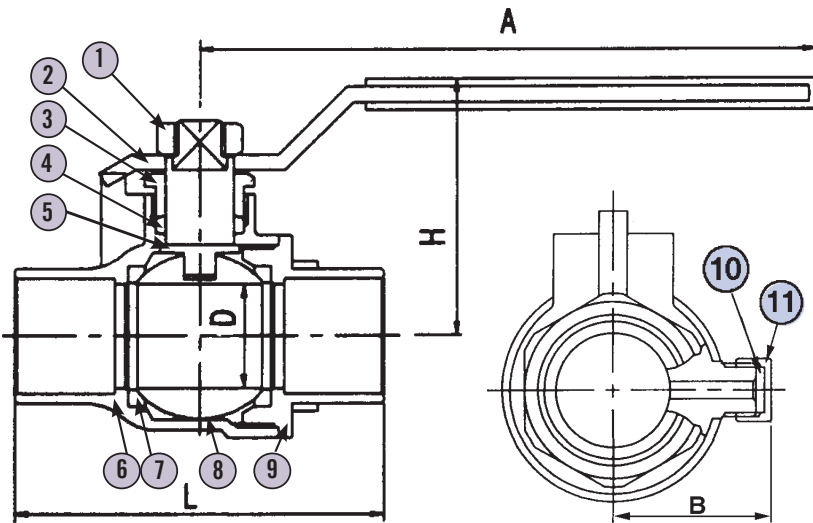
A.Y. McDonald Mfg. Co. No-Lead Ball Valves with drain are constructed from heavy duty no-lead brass. They are designed for residential and commercial use on steam, oil, water or gas. The full port allows for maximum flow, minimum pressure drop and turbulence. The drain feature allows for drainage of water down line to prevent freeze up.

Dimensions

Size	L	H	D	A	B
1/2"	1.91	1.52	.50	3.28	.91
3/4"	2.73	1.95	.78	4.60	1.10
1"	3.28	2.11	.98	4.60	1.26

Materials

No.	Part	Material
1	Nut	Steel
2	Handle	Steel
3	Stem Gland Screw	No-Lead Brass
4	Stem Packing	Teflon
5	Stem	No-Lead Brass
6	Body	No-Lead Brass
7	Ball Disc Packing	Teflon
8	Ball	No-Lead Brass
9	End Plug	No-Lead Brass
10	Drain Packing	Rubber
11	Drain Cup Nut	No-Lead Brass

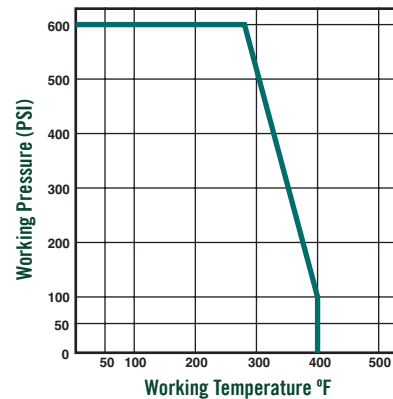


SUBMITTAL INFORMATION

- Available Sizes: 1/2", 3/4" and 1"
- 600 WOG
- 150 WSP
- Blowout proof stem
- Conforms to MSS-SP-110
- ANSI/NSF 61-8
- Complies with NSF/ANSI 372-2010



Temperature / Pressure Rating



NO-LEAD: The weighted average of the wetted surface of this no-lead product contacted by consumable water contains less than one quarter of one percent (0.25%) lead.



A.Y. McDonald Mfg. Co.
4800 Chavenelle Rd
Dubuque, IA 52002

Toll Free: 1-800-292-2737
sales@aymcdonald.com
aymcdonald.com

A.Y. McDonald considers the information on this assembly drawing correct when published. Item and option availability, including specifications, are subject to change without notice.

Submitted by: