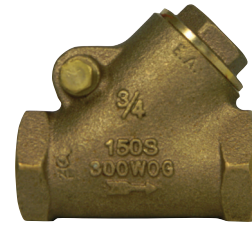


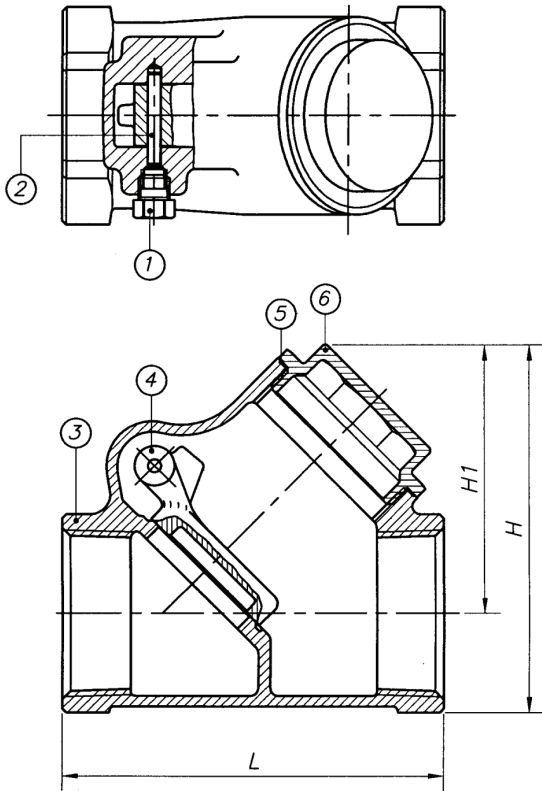
# SUBMITTAL DATA SHEET

## No-Lead Low Pressure Valves Y-Pattern Swing Check Valve – 72051T

FNPT X FNPT



A.Y. McDonald Mfg. Co. No-Lead Low Pressure Valves are constructed from heavy duty no-lead bronze and are recommended for residential and commercial applications and positive shut-off with various inlet configurations.



### Dimensions

Part No.	Model No.	Size	L	H	H1
5421-248	72051T	1/2"	2.20	2.15	1.60
5421-249	72051T	3/4"	2.78	2.60	1.94
5421-250	72051T	1"	3.15	2.95	2.13
5421-251	72051T	1 1/4"	3.78	3.62	2.63
5421-252	72051T	1 1/2"	4.33	4.21	3.07
5421-253	72051T	2"	5.06	5.10	3.75

### Materials

No.	Part	Material
1	Bolt	No-Lead Brass
2	Pin	No-Lead Brass
3	Body	No-Lead Bronze (C89844 MOD)
4	Disc	No-Lead Bronze (C89844 MOD)
5	Packing	Fiber "H"
6	Cap/Bonnet	No-Lead Bronze (C89844 MOD)

### SUBMITTAL INFORMATION

- 150 WSP
- 300 WOG
- Available Sizes: 1/2", 3/4", 1", 1 1/4", 1 1/2" and 2"
- Threads conform to ANSI B1.20.1
- Directional
- AB 1953
- **Not for wastewater use**

NO-LEAD: The weighted average of the wetted surface of this no-lead product contacted by consumable water contains less than one quarter of one percent (0.25%) lead.



**A.Y. McDonald Mfg. Co.**  
4800 Chavenelle Rd  
Dubuque, IA 52002

**Toll Free: 1-800-292-2737**  
sales@aymcdonald.com  
aymcdonald.com

A.Y. McDonald considers the information on this assembly drawing correct when published. Item and option availability, including specifications, are subject to change without notice.

**Submitted by:**