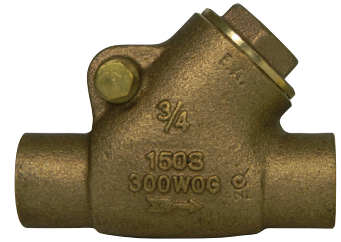


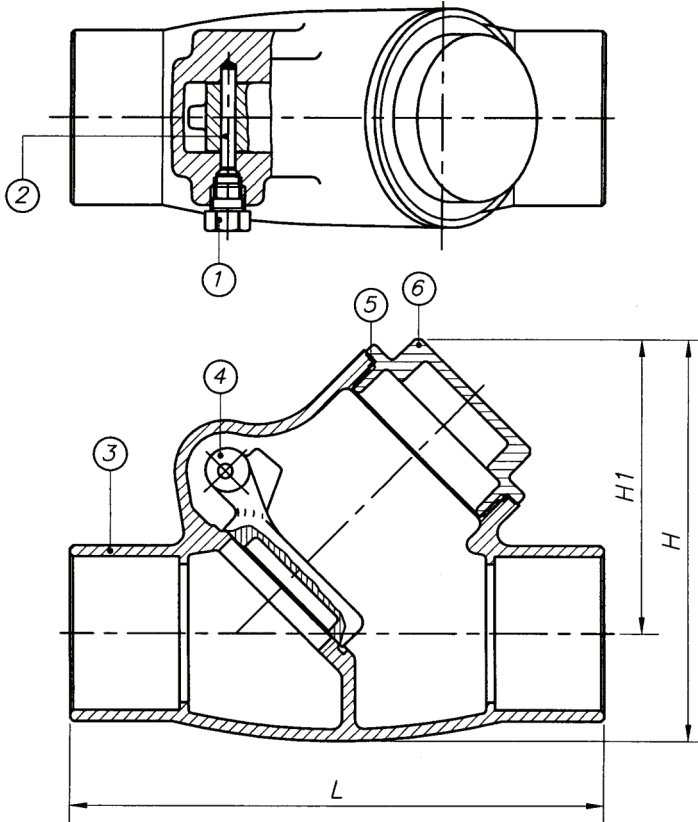
SUBMITTAL DATA SHEET

No-Lead Low Pressure Valves Y-Pattern Swing Check Valve – 72051S

SWT x SWT



A.Y. McDonald Mfg. Co. No-Lead Low Pressure Valves are constructed from heavy duty no-lead bronze and are recommended for residential and commercial applications and positive shut-off with various inlet configurations.



Dimensions

Size	L	H	H1
1/2"	2.72	2.07	1.56
3/4"	3.37	2.60	1.94
1"	4.09	2.91	2.13
1 1/4"	4.76	3.60	2.63
1 1/2"	5.43	4.13	3.07
2"	6.66	5.06	3.75

Materials

No.	Part	Material
1	Bolt	No-Lead Brass
2	Pin	No-Lead Brass
3	Body	No-Lead Bronze (C89844 MOD)
4	Disc	No-Lead Bronze (C89844 MOD)
5	Packing	Fiber "H"
6	Cap/Bonnet	No-Lead Bronze (C89844 MOD)

SUBMITTAL INFORMATION

- 150 WSP
- Available Sizes: 1/2", 3/4", 1", 1 1/4", 1 1/2" and 2"
- Temperature Rating: 180°F
- Pressure Rating: 300 WOG (Non-Shock)
- Solder ends conform to ANSI B16.18
- Directional
- AB 1953
- **Not for wastewater use**

NO-LEAD: The weighted average of the wetted surface of this no-lead product contacted by consumable water contains less than one quarter of one percent (0.25%) lead.



A.Y. McDonald Mfg. Co.
4800 Chavenelle Rd
Dubuque, IA 52002

Toll Free: 1-800-292-2737
sales@aymcdonald.com
aymcdonald.com

A.Y. McDonald considers the information on this assembly drawing correct when published. Item and option availability, including specifications, are subject to change without notice.

Submitted by: