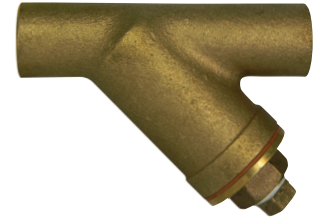


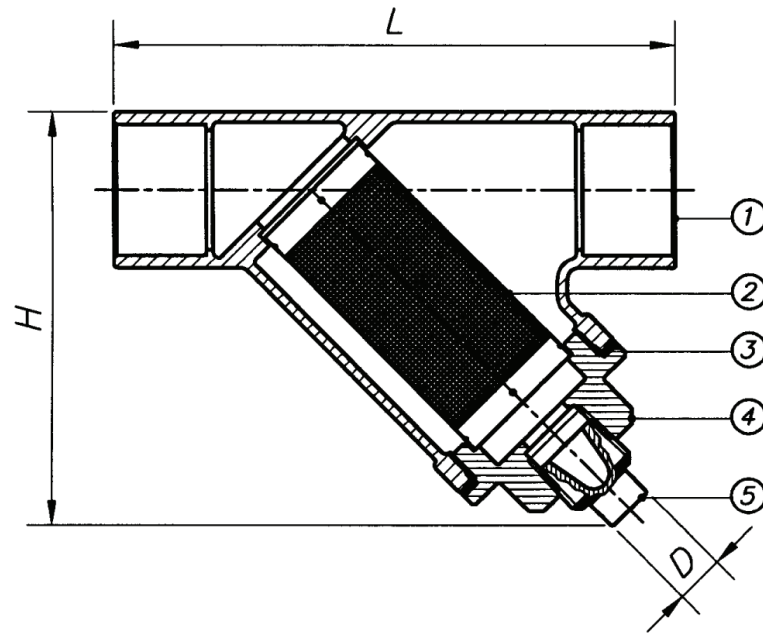
SUBMITTAL DATA SHEET

No-Lead Low Pressure Valves Bronze Y-Strainer – 72052S

SWT X SWT



A.Y. McDonald Mfg. Co. No-Lead Low Pressure Valves are constructed from heavy duty no-lead bronze and are recommended for residential and commercial applications and positive shut-off with various inlet configurations.



Dimensions

Size	D	H	L
1/2"	0.45	2.83	3.42
3/4"	0.45	3.26	4.31
1"	0.52	3.77	5.09
1 1/4"	0.52	4.37	5.90
1 1/2"	0.52	4.82	6.88
2"	0.52	5.90	8.62

Materials

No.	Part	Material
1	Body	No-Lead Bronze (C89844 MOD)
2	Filter	Stainless-Steel (304)
3	Packing	Fiber "H"
4	Cap/Bonnet	No-Lead Bronze (C89844 MOD)
5	Plug	No-Lead Bronze (C89844 MOD)

SUBMITTAL INFORMATION

- 150 WSP
- 300 WOG
- Available Sizes: 1/2", 3/4", 1", 1 1/4", 1 1/2", and 2"
- Solder ends conform to ANSI B16.18
- 20 Mesh SS screen
- Directional
- Complies with AB 1953
- Closure plug included

NO-LEAD: The weighted average of the wetted surface of this no-lead product contacted by consumable water contains less than one quarter of one percent (0.25%) lead.



A.Y. McDonald Mfg. Co.
4800 Chavenelle Rd
Dubuque, IA 52002

Toll Free: 1-800-292-2737
sales@aymcdonald.com
aymcdonald.com

A.Y. McDonald considers the information on this assembly drawing correct when published. Item and option availability, including specifications, are subject to change without notice.

Submitted by: