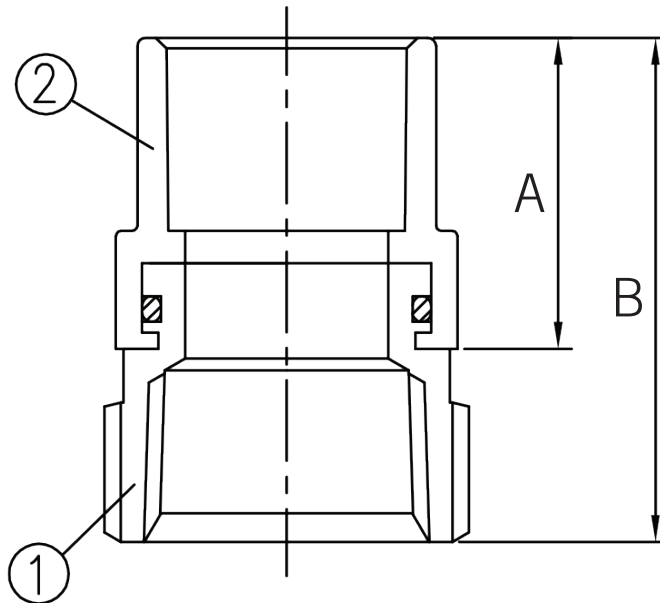


# SUBMITTAL DATA SHEET

No-Lead  
 CPVC Transition Fitting – 72111VF  
 FNPT X CPVC/Solvent



A.Y. McDonald Mfg. Co. CPVC transition adapter fittings are used in potable water distribution systems to convert CPVC tubing to threaded piping. These are designed for use with both hot and cold water applications.



## Dimensions

Part No.	Model No.	Size	A	B
5422-460	72111VF	1/2"	0.98"	1.63"
5422-461	72111VF	3/4"	1.18"	1.85"
5422-463	72111VF	1"	1.42"	2.24"
5422-468	72111VF	1 1/4"	1.71"	2.60"
5422-469	72111VF	1 1/2"	1.94"	2.83"
5422-470	72111VF	2"	2.41"	3.35"

## Materials

No.	Part	Material
1	Body	No-Lead Brass (C46400)
2	CPVC Transition	CPVC

## SUBMITTAL INFORMATION

- Available Size: 1/2" - 2"
- Not for use in applications that exceed 180°F
- One piece design
- CPVC-4120
- ASTM D2846: Standard specification for PVC and CPVC plastic hot and cold water distribution systems
- ANSI/ASME B1.20.1: Pipe threads, general purpose, Inch
- NSF/ANSI 14: Plastic piping system components and related materials.
- NSF/ANSI 61-G & 372



NO-LEAD: The weighted average of the wetted surface of this no-lead product contacted by consumable water contains less than one quarter of one percent (0.25%) lead.



**A.Y. McDonald Mfg. Co.**  
 4800 Chavenelle Rd  
 Dubuque, IA 52002

**Toll Free: 1-800-292-2737**  
 sales@aymcdonald.com  
 aymcdonald.com

A.Y. McDonald considers the information on this assembly drawing correct when published. Item and option availability, including specifications, are subject to change without notice.

Submitted by: