

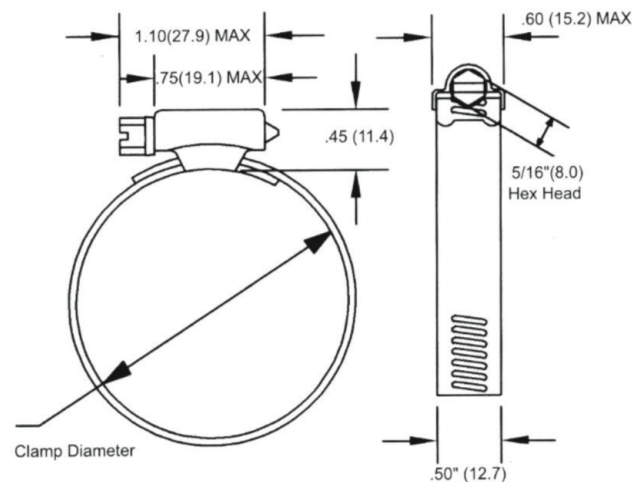
# SUBMITTAL DATA SHEET

## No-Lead Stainless-Steel Hose Clamps 2000HC68



A.Y. McDonald Mfg. Co. hose clamps are made of high-grade stainless-steel, which makes them corrosion resistant. These worm gear hose clamps are multipurpose, easy to use and provide a tight and secure hold. They are suitable for common household applications and are perfect for plumbing repairs.

Part No.	Model No.	Trade Size/ SAE No.	Minimum ID	Maximum ID
4424-135	2000HC6808	8	7/16"	1"
4424-136	2000HC6810	10	1/2"	1 1/16"
4424-137	2000HC6812	12	1/2"	1 1/4"
4424-138	2000HC6816	16	11/16"	1 1/2"
4424-139	2000HC6820	20	3/4"	1 3/4"
4424-140	2000HC6824	24	1"	2"
4424-141	2000HC6828	28	1 1/4"	2 1/4"
4424-142	2000HC6832	32	1 1/2"	2 1/2"
4424-143	2000HC6836	36	1 3/4"	2 3/4"
4424-144	2000HC6840	40	2"	3"
4424-145	2000HC6844	44	2 1/4"	3 1/4"
4424-146	2000HC6848	48	2 1/2"	3 1/2"
4424-147	2000HC6852	52	2 3/4"	3 3/4"
4424-148	2000HC6856	56	3"	4"
4424-149	2000HC6860	60	3 1/4"	4 1/4"
4424-150	2000HC6864	64	2 1/2"	4 1/2"
4424-151	2000HC6872	72	3"	5"
4424-152	2000HC6880	80	3 1/2"	5 1/2"
4424-153	2000HC6888	88	4"	6"
4424-154	2000HC6896	96	4 1/2"	6 1/2"
4424-155	2000HC68104	104	5"	7"



### SUBMITTAL INFORMATION

- 100% Stainless-Steel
- Screw: 5/16" Hex Head - 302 Stainless-Steel
- Band and Housing: 9/16" - 304 Stainless-Steel
- Standard worm gear construction, with punched rectangular perforations
- Specification: SAE J1508
- Torque Standard: Greater than or equal to 60 lbs/inch

Note: SOLD IN BOX QUANTITY ONLY

NO-LEAD: The weighted average of the wetted surface of this no-lead product contacted by consumable water contains less than one quarter of one percent (0.25%) lead.



**A.Y. McDonald Mfg. Co.**  
4800 Chavenelle Rd  
Dubuque, IA 52002

**Toll Free: 1-800-292-2737**  
sales@aymcdonald.com  
aymcdonald.com

A.Y. McDonald considers the information on this assembly drawing correct when published. Item and option availability, including specifications, are subject to change without notice.

Submitted by: