

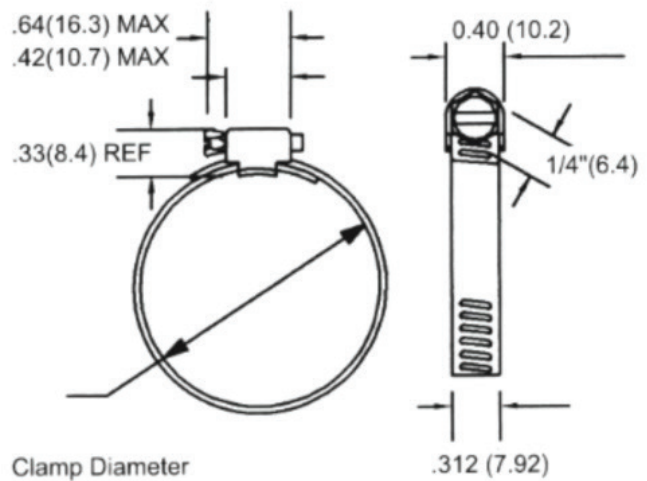
SUBMITTAL DATA SHEET

No-Lead
Stainless-Steel Hose Clamps
2000HC62M



A.Y. McDonald Mfg. Co. hose clamps are made of high-grade stainless-steel, which makes them corrosion resistant. These worm gear hose clamps are multipurpose, easy to use and provide a tight and secure hold. They are suitable for common household applications and are perfect for plumbing repairs.

Part No.	Model No.	Trade Size/ SAE No.	Minimum ID	Maximum ID
4424-240	2000HC62M04	4	1/4"	5/8"
4424-241	2000HC62M06	6	7/16"	3/4"
4424-242	2000HC62M08	8	1/2"	7/8"
4424-243	2000HC62M10	10	1/2"	1"



SUBMITTAL INFORMATION

- 100% Stainless-Steel
- Screw: 1/4" Hex Head - 302 Stainless-Steel
- Band and Housing: 5/16" - 304 Stainless-Steel
- Standard worm gear construction, with punched rectangular perforations
- Specification: SAE J1508
- Torque Standard: Greater than or equal to 25 lbs/inch

Note: SOLD IN BOX QUANTITY ONLY

NO-LEAD: The weighted average of the wetted surface of this no-lead product contacted by consumable water contains less than one quarter of one percent (0.25%) lead.



A.Y. McDonald Mfg. Co.
4800 Chavenelle Rd
Dubuque, IA 52002

Toll Free: 1-800-292-2737
sales@aymcdonald.com
aymcdonald.com

A.Y. McDonald considers the information on this assembly drawing correct when published. Item and option availability, including specifications, are subject to change without notice.

Submitted by: