

SUBMITTAL DATA SHEET

No-Lead All Stainless Steel Hose Clamps
2000HC

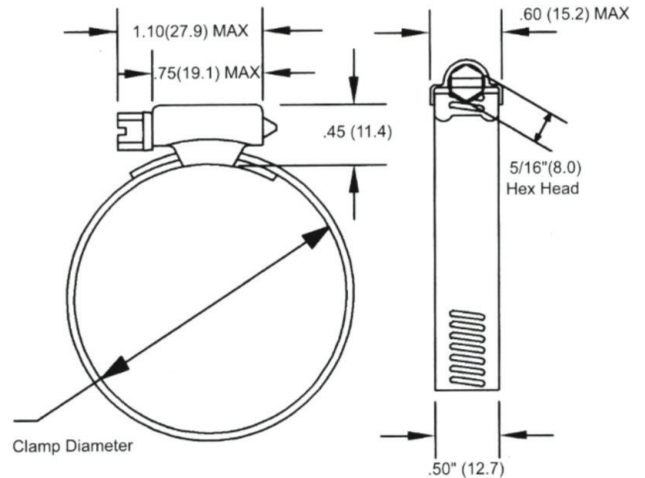


2000HC68 - All Stainless Steel Hose Clamp

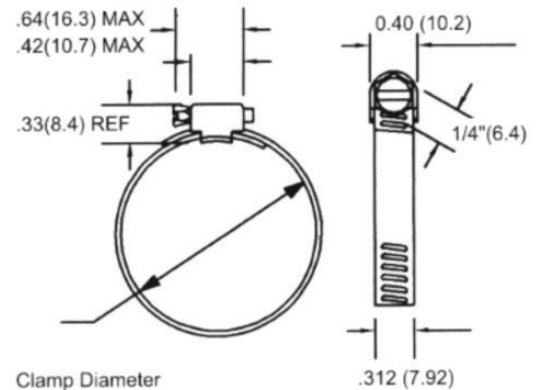
Band & Housing: 9/16" - 304 SS | Screw: 5/16" Hex-head - 302 SS
100% Stainless Steel Hose Clamp for Marine or Underground Applications
SOLD IN BOX QUANTITY ONLY

Part No.	Trade Size	Min.	Max.	Ctn. Qty
2000HC6808	8	7/16"	1"	10/200
2000HC6810	10	1/2"	1 1/16"	10/500
2000HC6812	12	1/2"	1 1/4"	10/500
2000HC6816	16	11/16"	1 1/2"	10/500
2000HC6820	20	3/4"	1 3/4"	10/500
2000HC6824	24	1"	2"	10/500
2000HC6828	28	1 1/4"	2 1/4"	10/500
2000HC6832	32	1 1/2"	2 1/2"	10/500
2000HC6836	36	1 3/4"	2 3/4"	10/200
2000HC6840	40	2"	3"	10/200
2000HC6844	44	2 1/4"	3 1/4"	10/200
2000HC6848	48	2 1/2"	3 1/2"	10/200
2000HC6852	52	2 3/4"	3 3/4"	10/100
2000HC6856	56	3"	4"	10/100
2000HC6860	60	3 1/4"	4 1/4"	10/100
2000HC6864	64	2 1/2"	4 1/2"	10/100
2000HC6872	72	3"	5"	10/100
2000HC6880	80	3 1/2"	5 1/2"	10/100
2000HC6888	88	4"	6"	10/100
2000HC6896	96	4 1/2"	6 1/2"	10/100
2000HC68104	104	5"	7"	10/100

Regular Clamp Screw : 5/16" hex-head



Mini Clamp Screw: 1/4" hex-head



2000HC62M - All Stainless Steel Hose Clamp

Band & Housing: 5/16" - 304 SS | Screw: 1/4" Hex-head - 302 SS
100% Stainless Steel Hose Clamp for Marine or Underground Application
SOLD IN BOX QUANTITY ONLY

Part No.	Trade Size	Min.	Max.	Ctn. Qty
2000HC62M04	8	1/4"	5/8"	10/2000
2000HC62M06	10	7/16"	7/8"	10/2000
2000HC62M08	10	1/2"	1"	10/2000
2000HC62M10	12	5/8"	1 1/4"	10/2000

NO-LEAD: The weighted average of the wetted surface of this no-lead product contacted by consumable water contains less than one quarter of one percent (0.25%) lead.



A.Y. McDonald Mfg. Co.
P.O. Box 508
Dubuque, IA 52004-0508

Toll Free: 1-800-292-2737
Fax: 1-800-832-9296
Hours: 7:00 a.m. - 5:00 p.m., CST

sales@aymcdonald.com
www.aymcdonald.com

A.Y. McDonald considers the information on this assembly drawing correct when published. Item and option availability, including specifications, are subject to change without notice.

Submitted by: